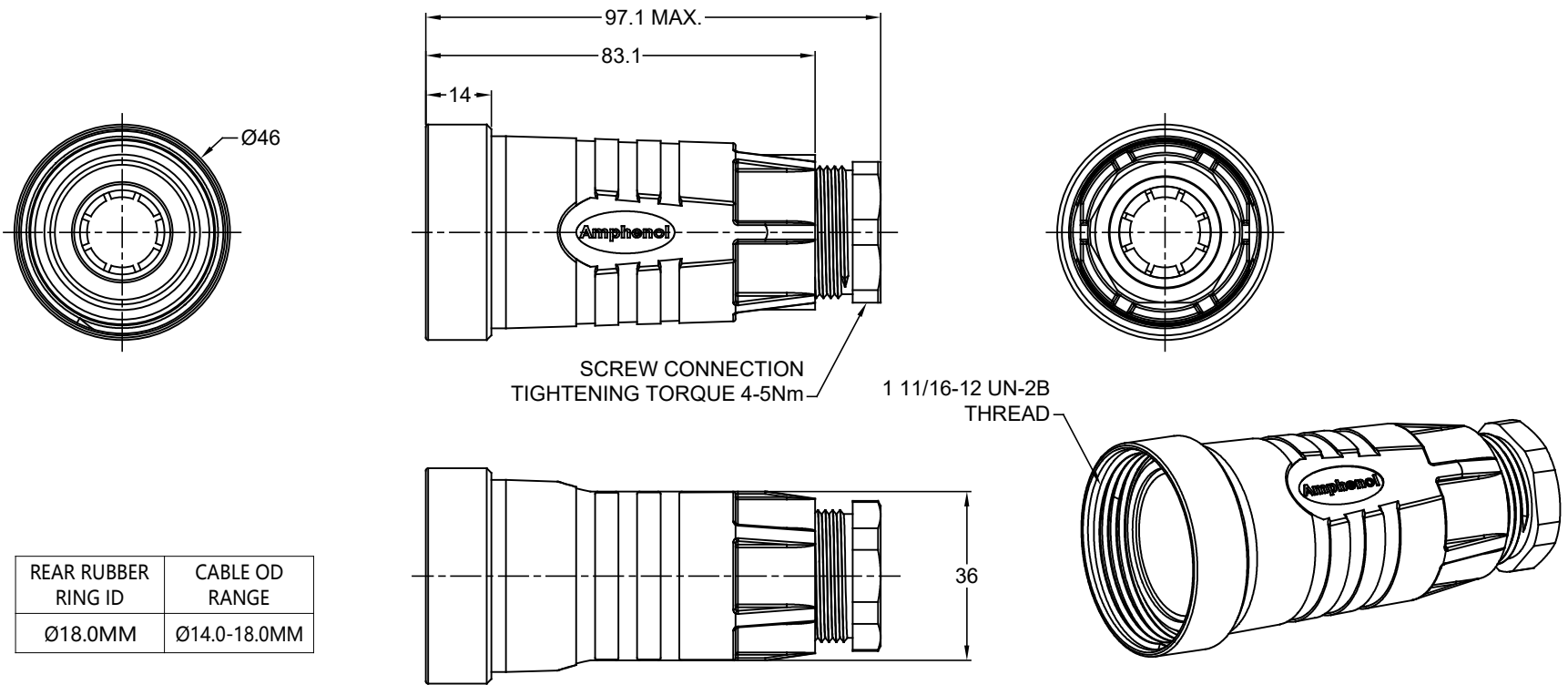


REVISIONS				
REV	ECO	DESCRIPTION	DATE	BY APPR
A1		RELEASED DRAWING	30JUL18	SULLENTOMMY



NOTES: UNLESS OTHERWISE SPECIFIED

- MATERIAL:  
BACK SHELL: THERMOPLASTIC  
RUBBER RING: SILICONE RUBBER  
CAGE CLAMP: THERMOPLASTIC  
PRESSURE NUT: THERMOPLASTIC
- COLORS: BLACK
- RoHS COMPLIANT
- USE WITH SIZE 24 AHDP SERIES WTA MODIFICATION
- ALL DIMENSIONS ARE FOR REFERENCE USE ONLY.

AHPBS-0406-SM01		DESCRIPTION		ITEM
PART NUMBER		DESCRIPTION		ITEM
QUANTITY	MATERIALS LIST			
UNLESS OTHERWISE SPECIFIED		SIGNATURES	DATE	<h1>Amphenol</h1> <p>Sine Systems - www.amphenol-sine.com 44724 Morley Drive Clinton Township, MI 48036</p> <p>BACKSHELL, SIZE 24, AHDP</p>
1) All dimensions are in metric(mm). 2) Tolerances are as follows: 1 PL DEC $\pm 0.30$ 2 PL DEC $\pm 0.15$ 3 PL DEC $\pm 0.08$		DRAWN: SULLENZHANG	30JUL18	
3) Note reference = $\triangle x$		CHECKED: ORION.LI	30JUL18	
MATERIAL SPECIFICATIONS:		ENGINEER:		
PROCESS SPECIFICATIONS:		APPROVAL: TOMMY.XIE	30JUL18	
NEXT ASSY:		CUSTOMER:		
THIS DRAWING IS SUPPLIED FOR INFORMATION ONLY. DESIGN FEATURES, SPECIFICATIONS AND PERFORMANCE DATA SHOWN HEREON ARE THE PROPERTY OF THE AMPHENOL CORPORATION. NO RIGHTS OF REPRODUCTION ARE IMPLIED. ALL DIMENSIONS ARE SUBJECT TO NORMAL MANUFACTURING VARIATIONS.		SIZE	TYPE	DWG NO:
		A	C-	AHPBS-0406-SM01
		SCALE: NONE		REVISION: A1
		SHEET 1 OF 1		