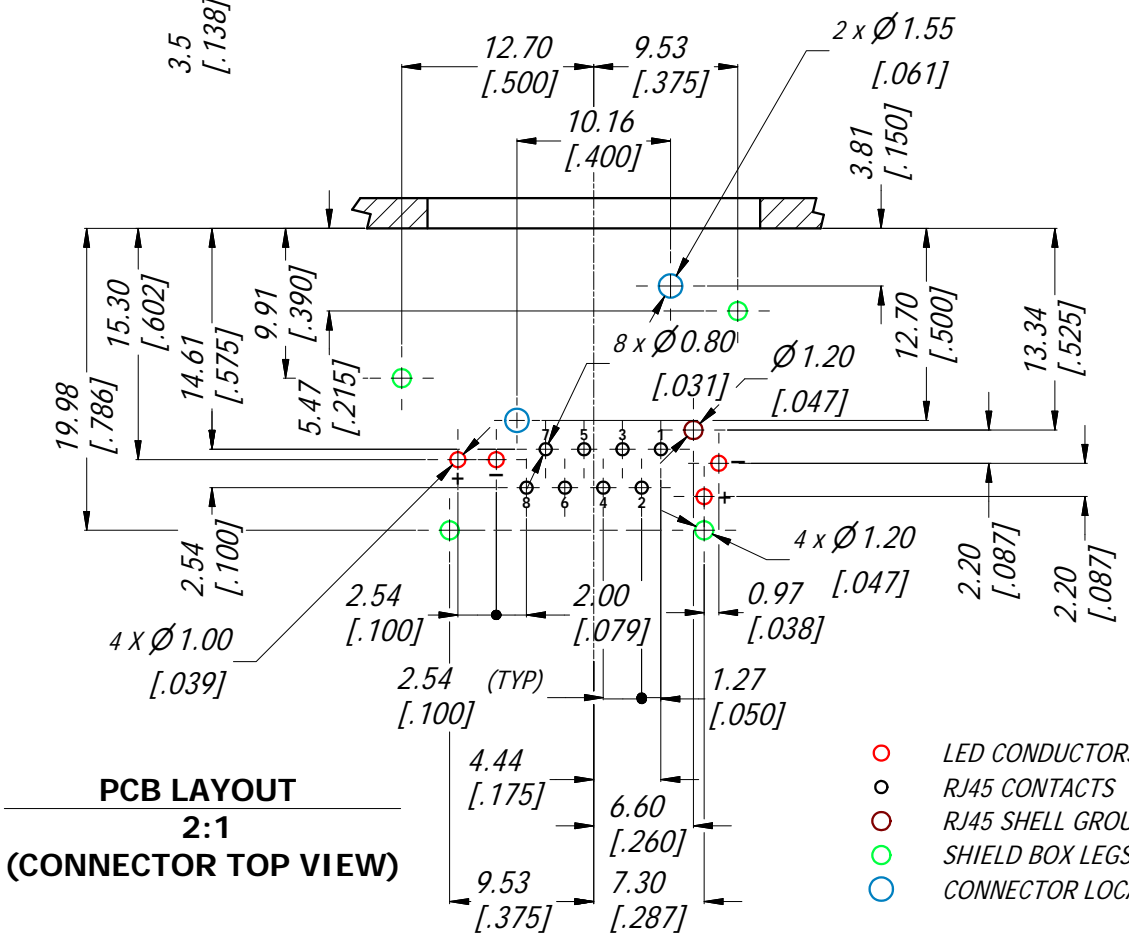
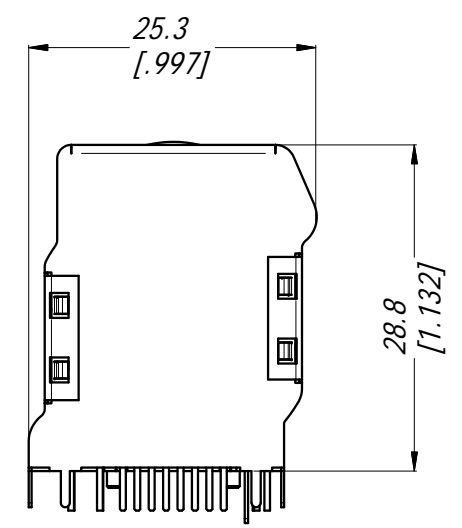
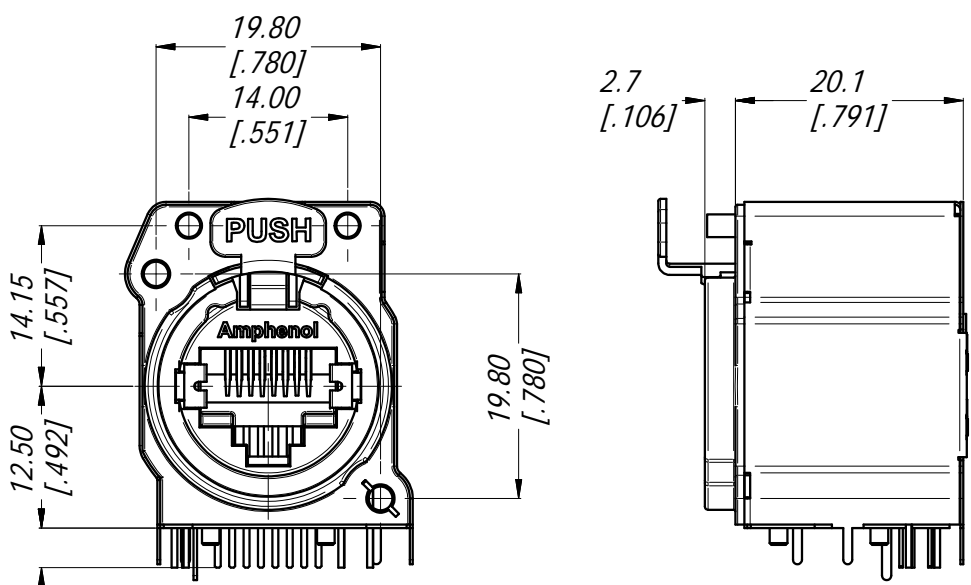


TABLE OF PART NUMBERS

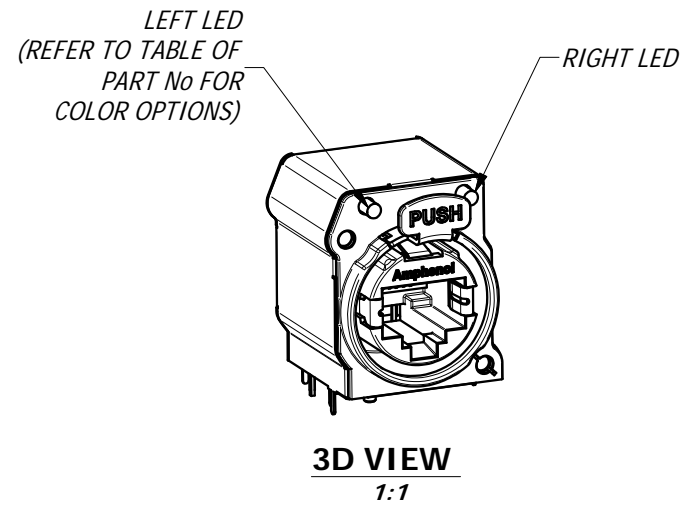
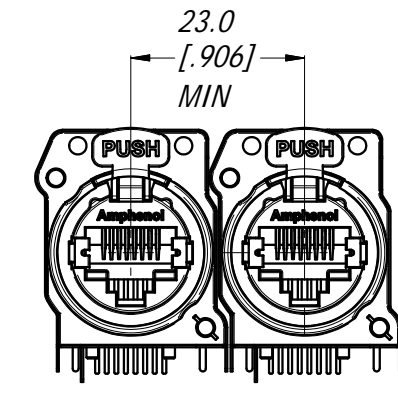
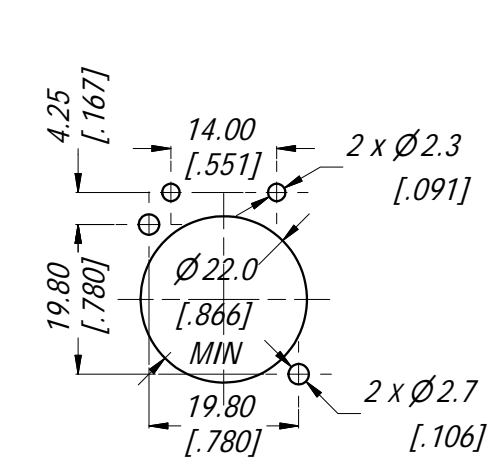
PART No.		LED COLOR	
METAL FRONT SHELL FINISH	LED COLOR	LEFT	RIGHT
NICKEL ( CONDUCTIVE )	LEFT	RIGHT	
RJX8FB5HRGEB	RED	GREEN	
RJX8FB5HRYEB	RED	YELLOW	
RJX8FB5HRREB	RED	RED	
RJX8FB5HGREB	GREEN	RED	
RJX8FB5HGYEB	GREEN	YELLOW	
RJX8FB5HGGEB	GREEN	GREEN	
RJX8FB5HYREB	YELLOW	RED	
RJX8FB5HYEB	YELLOW	YELLOW	
RJX8FB5HYGEB	YELLOW	GREEN	
RJX8FB5HUUEB	BLUE	BLUE	

PART No.		
METAL FRONT SHELL FINISH	LED COLOR	
BLACK ( NON CONDUCTIVE)	LEFT	RIGHT
RJX8FC5HRGEB	RED	GREEN
RJX8FC5HRYEB	RED	YELLOW
RJX8FC5HRREB	RED	RED
RJX8FC5HGREB	GREEN	RED
RJX8FC5HGYEB	GREEN	YELLOW
RJX8FC5HGGEB	GREEN	GREEN
RJX8FC5HYREB	YELLOW	RED
RJX8FC5HYEB	YELLOW	YELLOW
RJX8FC5HYGEB	YELLOW	GREEN
RJX8FC5HUUEB	BLUE	BLUE



- LED CONDUCTORS
- RJ45 CONTACTS
- RJ45 SHELL GROUND CONTACT
- SHIELD BOX LEGS
- CONNECTOR LOCATION PINS



- SPECIFICATIONS:**
- MATERIALS:**
    - PLASTIC INSERT & HOUSING: HIGH TEMPERATURE THERMOPLASTIC FLAMMABILITY RATING UL94V-0 DSM STANYL, 30% BLACK
    - FRONT METAL SHELL: ZINC ALLOY ZAMAK 3, NICKEL PLATE (B TYPE) OR BLACK COATING (C TYPE)
    - CONTACTS: PHOSPHORE BRONZE, 1.27 um GOLD PLATE ON MATING SURFACES, 1.27 um NICKEL MIN UNDERPLATE. 3.81 um MIN MATTE TIN ON CONTACT TAILS.
    - LATCH LOCK AND SPRING: SPRING STEEL, NICKEL PLATE.
    - EMI/RFI HOOD: BRASS, TIN PLATE
  - ELECTRICAL CHARACTERISTICS:**
    - RATED VOLTAGE: 125 VAC
    - TYPICAL CONTACT RESISTANCE: 20 mOhm
    - INSULATION RESISTANCE: >500 MOhm
    - DIELECTRIC STRENGTH: 1000 VAC, 60 SECONDS
    - TRANSMISSION SPECIFICATION/CLASS: COMPLIES WITH CAT5e 1000 BASE-T PER EIA-568-C.2
    - PoE+ COMPLIES WITH 802.3at Type 2 ( SEE PSE PINOUT ALTERNATIVE TABLE)

PSE PINOUT ALTERNATIVES

CONDUCTOR	Alternative-A (MDI-X)	Alternative-A (MDI)	Alternative-A (All)
1	Negative V <sub>PSE</sub>	Positive V <sub>PSE</sub>	
2	Negative V <sub>PSE</sub>	Positive V <sub>PSE</sub>	
3	Positive V <sub>PSE</sub>	Negative V <sub>PSE</sub>	
4			Positive V <sub>PSE</sub>
5			Positive V <sub>PSE</sub>
6	Positive V <sub>PSE</sub>	Negative V <sub>PSE</sub>	
7			Negative V <sub>PSE</sub>
8			Negative V <sub>PSE</sub>

UNLESS OTHERWISE SPECIFIED TOLERANCE TO BE	THIS DOCUMENT IS THE PROPERTY OF AMPHENOL AUSTRALIA PTY. LTD. NO PART THEREOF MAY BE REPRODUCED AND USED WITHOUT THE PRIOR WRITTEN CONSENT OF THE OWNER.		
LINEAR	ANGULAR	MATERIAL: REFER SPECIFICATION	DRN: T.N DATE: 20/05/12
X ± 0.5	X' ± 1		CKD: P.M DATE: 21/05/12
X.X ± 0.1	X.X' ± 30'		APP'D: P.M DATE: 21/05/12
X.X ± 0.05	X.X.X' ± 15'	DO NOT SCALE	FINISH:
BREAK ALL SHARP EDGES AND REMOVE ALL BURRS		THIRD ANGLE PROJECTION	
DIMENSIONS IN MILLIMETRES		SCALE: 3:2	SIZE: A3

**Amphenol** Amphenol Australia Pty.Ltd, 20 Industry Blvd, Carrum Downs VIC 3201 Australia

TITLE: **XLRnet CONNECTOR RJ45 RECP CAT5e CUSTOMER DRAWING**

PART No: REFER TO TABLE OF PART NUMBERS  
 DRAWING No. 55010837-000

REV 2 SHEET 1/1

