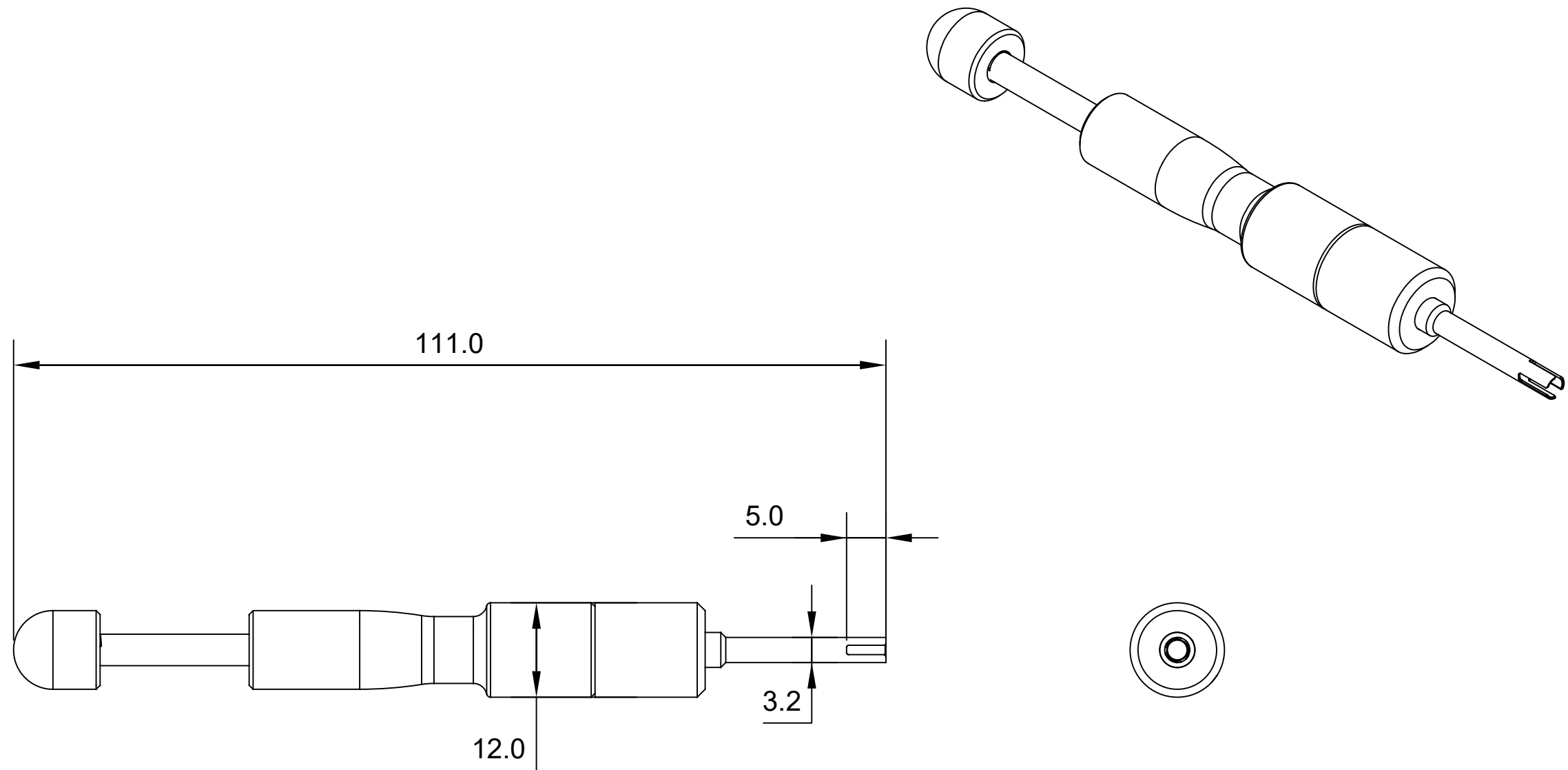


REVISIONS					
REV	ECO	DESCRIPTION	DATE	BY	APPR
A1	-	RELEASED DRAWING	3-19-2021	RO	DR



TITLE:


DWG NO:

QXRT16-COAX

REV: A1

SH: 1

OF: 1

QUANTITY	PART NUMBER	DESCRIPTION	ITEM
<b>MATERIALS LIST</b>			
<b>UNLESS OTHERWISE SPECIFIED</b> 1) All dimensions are in metric(mm). 2) Tolerances are as follows: 1 PL DEC ±0.30 2 PL DEC ±0.15 3 PL DEC ±0.08 Fractions ±1/64 Angles ±1° 3) Note reference = 		<b>SIGNATURES</b> DRAWN: RO CHECKED: DR ENGINEER: RO APPROVAL: DR <b>DATE</b> 3/19/2021 3/19/2021 3/19/2021	<h1 style="text-align: center;">Amphenol</h1> <p style="text-align: center;">Sine Systems - www.amphenol-sine.com            44724 Morley Drive            Clinton Township, MI 48036</p>
<b>MATERIAL SPECIFICATIONS:</b>  <b>PROCESS SPECIFICATIONS:</b>  <b>NEXT ASSY:</b>		<b>CUSTOMER:</b> ECO-MATE, EXTRACTION TOOL FOR 16#CONTACT, MIM-2J.5Y, MIM-K2.5Y  THIS DRAWING IS SUPPLIED FOR INFORMATION ONLY. DESIGN FEATURES, SPECIFICATIONS AND PERFORMANCE DATA SHOWN HEREON ARE THE PROPERTY OF THE AMPHENOL CORPORATION. NO RIGHTS OF REPRODUCTION ARE IMPLIED. ALL DIMENSIONS ARE SUBJECT TO NORMAL MANUFACTURING VARIATIONS.	<b>SIZE</b> <b>B</b>
		<b>TYPE</b> <b>C-</b>	<b>DWG NO:</b> <b>QXRT16-COAX</b>
		<b>REVISION</b> <b>A1</b>	<b>SCALE:</b> NONE
		<b>QXRT16-COAX</b>	<b>SHEET</b> 1 <b>OF</b> 1