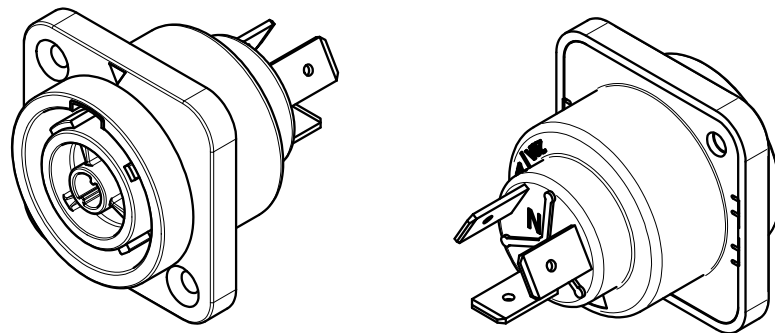
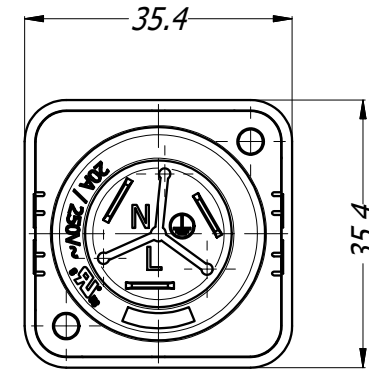
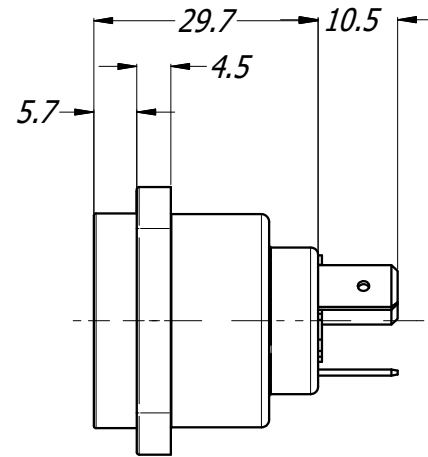
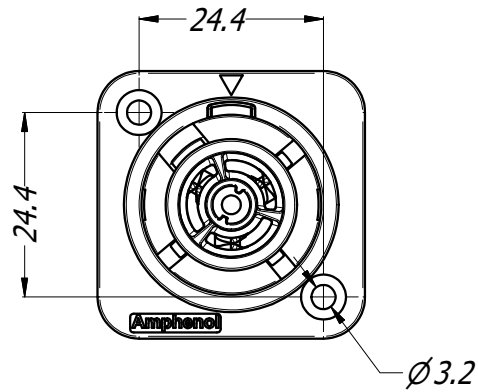
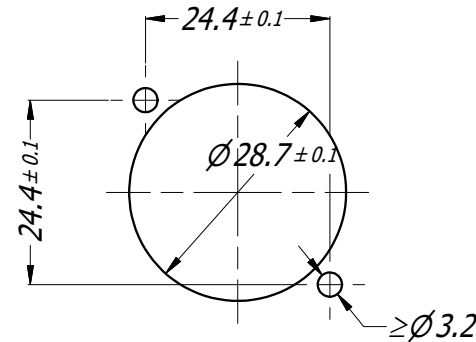


CAUS



3D VIEW
1:1



PANEL CUTOUT

PATENTS AND APPLICATIONS :

- US 10823914B2
- EP 3514892B1
- JP 6705027B2
- DE 102018101431A1
- HK 40009428A
- CN 110071397A
- EP 3641070A1

NOTES:
- USE SCREW #4 OR M3
- SCREW TORQUE: 0.4 N-m (3.5 lb-in) MAX

UNLESS OTHERWISE SPECIFIED TOLERANCE TO BE	
LINEAR	ANGULAR
X ± 0.5	X' ± 1
X.X ± 0.1	X.X' ± 30'
X.X ± 0.05	X.X' " ± 15"
BREAK ALL SHARP EDGES AND REMOVE ALL BURRS	
DO NOT SCALE	
DIMENSIONS IN MILLIMETRES	

THIS DOCUMENT IS THE PROPERTY OF AMPHENOL AUSTRALIA PTY. LTD.
. NO PART THEREOF MAY BE REPRODUCED AND USED
WITHOUT THE PRIOR WRITTEN CONSENT OF THE OWNER.

MATERIAL:
REFER COMPONENTS

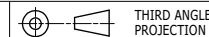
DRN:	T.N	DATE:	29/08/16
CKD:	P.M	DATE:	29/08/16
APP'D:	P.M	DATE:	29/08/16
SCALE:	1:1	SIZE:	A4

Amphenol

Amphenol Australia Pty.Ltd,
22 Industry Blvd, Carrum Downs VIC 3201

TITLE:
**FEMALE PANEL MOUNT
HP SERIES
WITHOUT DIVIDER**

PART No:	HPT-3-FDW	REV	2
DRAWING No.	55011094-000-4	SHEET	4/4



THIRD ANGLE PROJECTION