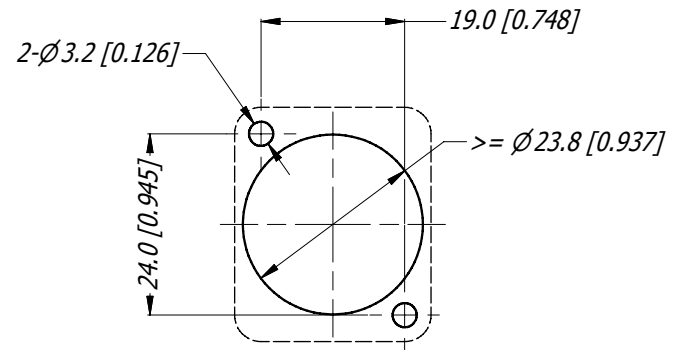
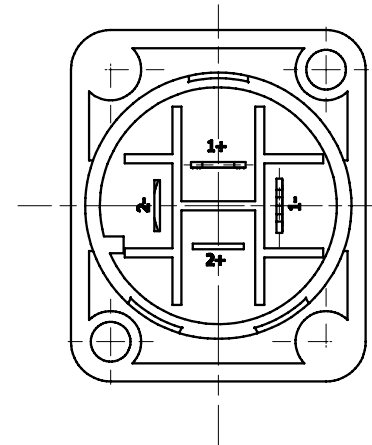
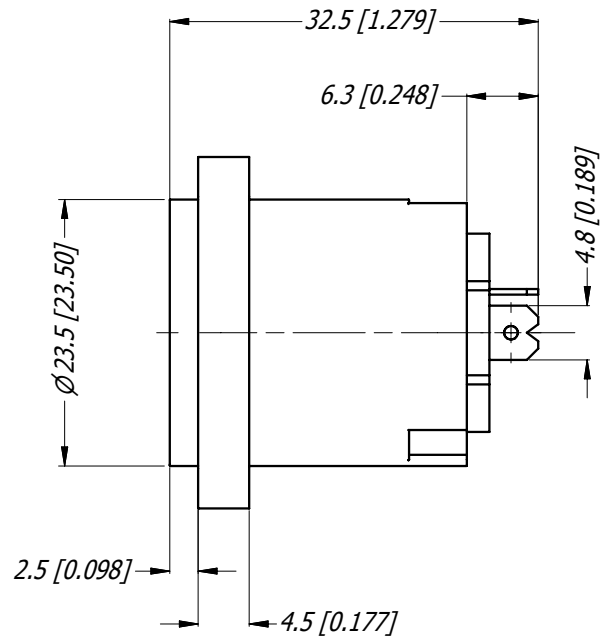
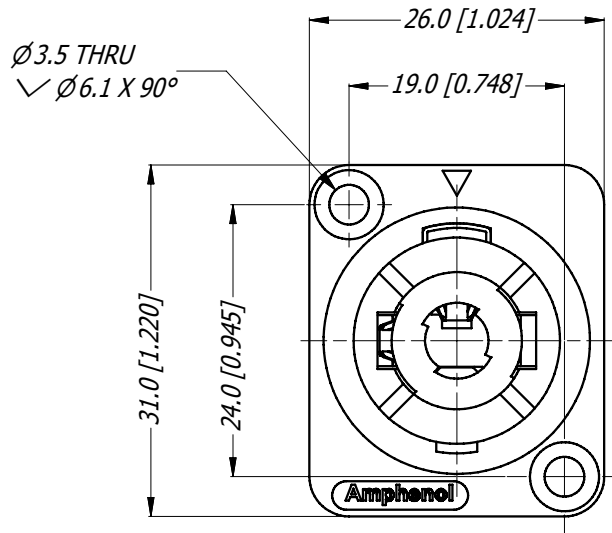
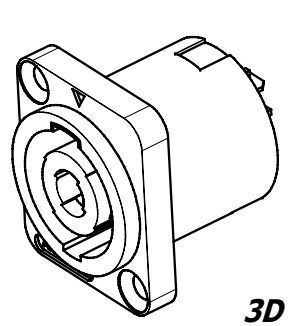


LEGEND  = KEY PRODUCT CHARACTERISTICS

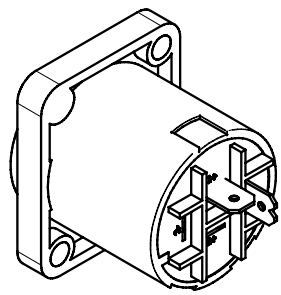
| REVISION HISTORY | | | | |
|------------------|-------------|-----|----------|------|
| REV | DESCRIPTION | BY | DATE | ECN |
| 0 | FIRST ISSUE | H.H | 14/02/11 | 8990 |



PANEL CUTOUT (1:1)



3D VIEW



| | | | | | | | | | |
|--|-------------|--|------------|-----------|---|-----------------------|------------|---|--|
| UNLESS OTHERWISE SPECIFIED TOLERANCE TO BE | | THIS DOCUMENT IS THE PROPERTY OF AMPHENOL AUSTRALIA PTY. LTD. NO PART THEREOF MAY BE REPRODUCED AND USED WITHOUT THE PRIOR WRITTEN CONSENT OF THE OWNER | | | | Amphenol | | Amphenol Australia Pty.Ltd, 2 Fiveways Blvd, Keysborough, VIC 3173 | |
| LINEAR | ANGULAR | MATERIAL: | DRN: | DATE: | TITLE: | PART No. | | | |
| X ± 0.5 | X° ± 1 | REFER TO COMPONENTS | HH | 10/02/11 | SP SERIES CONNECTOR LOUDSPEAKER 2 POLE, SOLDER | SP-2-MD | | | |
| X.X ± 0.1 | X.X° ± 30° | BREAK ALL SHARP EDGES AND REMOVE ALL BURRS | CKD: | DATE: | | DRAWING No. | SHEET | | |
| X.XX ± 0.05 | X.XX° ± 15° | DO NOT SCALE | PM | 14/02/11 | | 55010735-000-2 | 2/2 | | |
| DIMENSIONS IN MILLIMETRES | | FINISH: | APP'D: | DATE: | CAD FILE: | 55010735000210 | | | |
| | | THIRD ANGLE PROJECTION | SCALE: | SIZE: | | | | | |
| | | | 3:2 | A4 | | | | | |