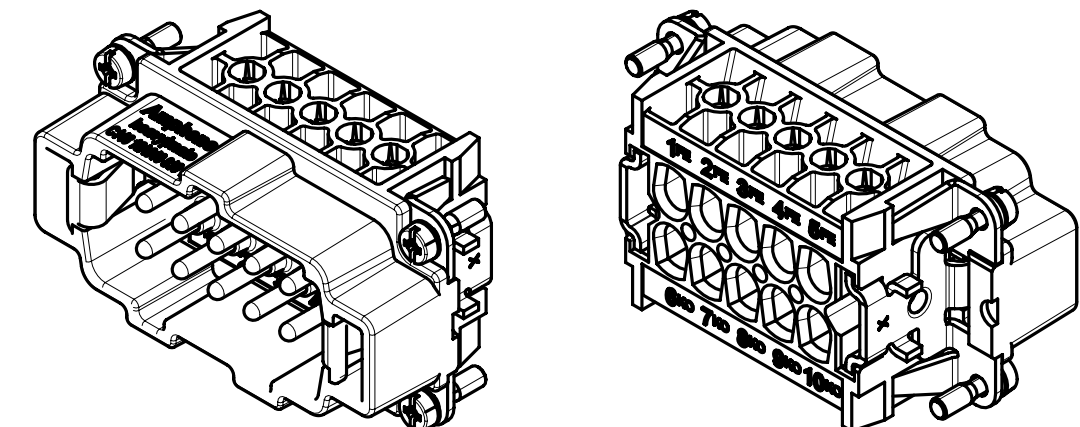
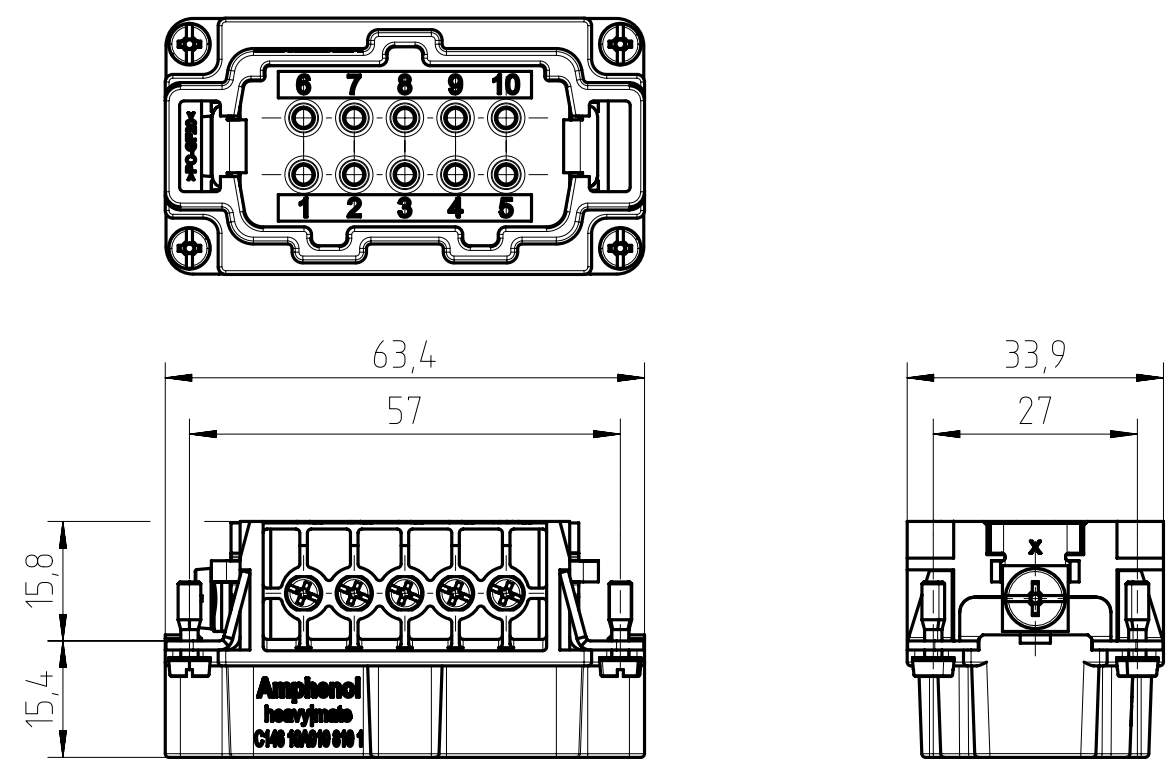


General Characteristics	Standard	Value
number of contacts		10 + PE
iron contacts	EUROMAP 14, part 1	1, 2, 3, 4, 5
constantan contacts	EUROMAP 14, part 1	6, 7, 8, 9, 10
termination technique		screw with wire protection
wire gauge		0,5 mm ² - 2,5 mm ² AWG 20 - AWG 14
max. insulation diameter		4,6 mm
stripping length		7,5 +0,5 mm
flammability	UL 94	V-0
Electrical Characteristics	Standard	Value
rated voltage	IEC 60664-1	500 V
pollution degree	IEC 60664-1	3
installation (overvoltage) category	IEC 60664-1	3
material group	IEC 60664-1	3b
rated impulse withstand voltage	IEC 60664-1	6 kV
rated current T _{amb} = 40 °C		16 A
current carrying capacity	IEC 60512-5-2	see derating curve
contact resistance	IEC 60512-2-1	≤ 5 mΩ
insulation resistance	IEC 60512-3-1	≥ 10 ¹⁰ Ω
Climatical Characteristics	Standard	Value
climatic category	IEC 60068-1	40 / 125 / 21
upper temperature	IEC 60512-11-9	+125 °C
lower temperature	IEC 60512-11-10	-40 °C
Mechanical Characteristics	Standard	Value
mechanical operation	IEC 60512-9-1	≥500 mating cycles
Materials	Standard	Value
insert		PC GF
color		grey
iron contacts	DIN IEC 584 (Typ J)	Fe/Au (gold plating)
constantan contacts	DIN IEC 584 (Typ J)	Ko (without plating)

Alle technischen Daten wurden unter Laborbedingungen ermittelt und können im Praxisbetrieb abweichen. Es handelt sich bei den Angaben weder um Beschaffenheits- noch um Haltbarkeitsgarantien.
 All technical data have been measured in a laboratory environment and can be different during practical usage of the product. Any product information is for descriptive usage only and not legally binding, particularly the information does not constitute or provide any legal guarantees ("Beschaffenheitsgarantie" or "Haltbarkeitsgarantie").



Gewicht (errechnet) / Calc WT: 64,5 g		Zul. Abw./Tolerances:		Maßstab / Scale: 1:1		A3			
Prüfmaß / Testdimension		ISO 2768-mH		DIN / ISO 13715		CUSTOMER DRAWING			
Teileindex / Partindexnumber:									
Bagatelle change:						Stifteinsatz 10-Pol pin insert 10 pole			
		Gez. 30.07.2015				M C146 10A010 810 1			
		Drawn MBERTSCH							
		Status Released				Blatt / Sheet 1 Bl.			
		Gepr. 07.12.2017							
		Checked MGRIMM				Ers. f. l. Replacement for: M-C146 10A010 810 1 Rev01			
05	201700427	06.12.2017	PWÖLF						
04	201600249	26.04.2016	PWÖLF						
03	201500909	25.02.2016	MTOLK						
02	201500151	31.07.2015	JHÖNN						
Index	Änderung / Description	Datum / Date	Name						

Coping of this document and giving it to others and the use or communication of the contents thereof, are forbidden without express authority. Offenders are liable to the payment of damages. All rights are reserved in the event of the grant of a patent or the registration of the utility model or design.
 Weitergabe sowie Vervielfältigung dieser Unterlage, Verwertung und Mitteilung ihres Inhalts nicht gestattet, soweit nicht ausdrücklich zugestanden. Zuwiderhandlungen verpflichten zu Schadenersatz. Alle Rechte für den Fall der Patenterteilung oder Gebrauchsmuster-Eintragung vorbehalten.