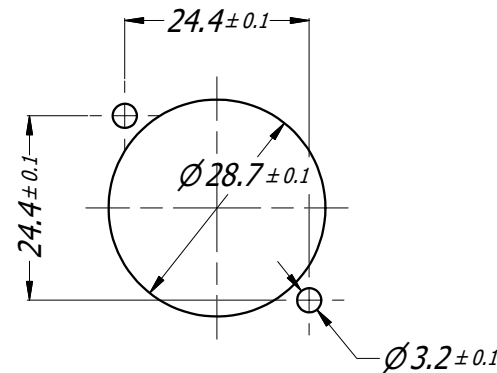


**3D VIEW**  
1:1



**PANEL CUTOUT**

**PATENTS AND APPLICATIONS :**

US 10823914B2

EP 3514892B1

JP 6705027B2

DE 102018101431A1

HK 40009428A

CN 110071397A

EP 3641070A1

**NOTES:**

- USE SCREW #4 OR M3

- SCREW TORQUE: 0.4 N-m ( 3.5 lb-in) MAX

UNLESS OTHERWISE SPECIFIED  
TOLERANCE TO BE

LINEAR	ANGULAR
X ± 0.5	X' ± 1
X.X ± 0.1	X.X' ± 30'
X.X ± 0.05	X.X' " ± 15"

BREAK ALL SHARP EDGES  
AND REMOVE ALL BURRS

DO NOT SCALE

DIMENSIONS IN MILLIMETRES

THIS DOCUMENT IS THE PROPERTY OF AMPHENOL AUSTRALIA PTY. LTD.  
NO PART THEREOF MAY BE REPRODUCED AND USED  
WITHOUT THE PRIOR WRITTEN CONSENT OF THE OWNER.

MATERIAL:  
**REFER COMPONENTS**

FINISH:



DRN: T.N DATE: 29/08/16

CKD: P.M DATE: 29/08/16

APP'D: P.M DATE: 29/08/16

SCALE: **1:1** SIZE: **A4**

**Amphenol**

Amphenol Australia Pty.Ltd,  
22 Industry Blvd, Carrum Downs VIC 3201

TITLE:  
**FEMALE PANEL MOUNT  
HP SERIES  
WITH DIVIDER**

PART No:  
**HPT-3-FD** REV  
**2**

DRAWING No.  
**55011094-000-4** SHEET  
**3/4**