



an INFINIT[®] brand



2W/10 dB Fixed Attenuator, BNC Male to BNC Female Brass Tri-Metal Body Up to 4 GHz

RF Fixed Attenuators Technical Data Sheet

LCAT7437-10

Features

- DC to 4 GHz Frequency Range
- Attenuation 10 dB Typical
- Max Power 2 Watts (CW)
- VSWR < 1.25:1
- 50 Ohm Impedance

Applications

- Wireless
- Video Signal Transmission
- Radar Systems
- Test and Measurement
- Commercial and Military Communication
- Avionics

Description

L-com carries a wide range of fixed attenuators with a broad selection of attenuation levels and frequency ranges. RF fixed attenuators lower the amplitude of a signal (attenuate) by specific amount and can be used in a wide variety of applications. These attenuators are used when signal levels need to be reduced to protect measurement equipment or other circuitry, to extend the range of power meters and amplifiers, and to impedance match circuits by reducing the VSWR seen by adjacent components. RF attenuators can prevent signal overload in amplifiers, receivers and detectors, adjusting the signal level to optimal power range.

Few RF components are as commonly used as fixed coaxial attenuators, and L-com carries one of the largest in-stock varieties and ships them same day. The 10 dB Fixed Attenuator LCAT7437-10 is rated to 2 Watts and operates from DC to 4 GHz. The versatile coaxial package uses BNC male to BNC female connectors.

Electrical Specifications

| Description | Minimum | Typical | Maximum | Units |
|----------------------|---------|---------|---------|-------|
| Frequency Range | DC | | 4 | GHz |
| Impedance | | 50 | | Ohms |
| Nominal Attenuation | | 10 | | dB |
| Attenuation Accuracy | | 0.5 | | dB |
| VSWR | | | 1.25:1 | |
| Input Power, CW | | | 2 | Watts |

Mechanical Specifications

Size

| | |
|---------------------------|---------------------|
| Length | 2.087 in [53.01 mm] |
| Width/Diameter | 0.571 in [14.5 mm] |
| Height | 0.571 in [14.5 mm] |
| Weight | 0.057 lbs [25.85 g] |
| Body Material and Plating | Brass, Tri-Metal |

Configuration

| | |
|--------|-------|
| Design | Fixed |
|--------|-------|



an INFINITE® brand



2W/10 dB Fixed Attenuator, BNC Male to BNC Female Brass Tri-Metal Body Up to 4 GHz

RF Fixed Attenuators Technical Data Sheet

LCAT7437-10

Connectors

| Description | Connector 1 | Connector 2 |
|-----------------------------------|-----------------------|-----------------------|
| Type | BNC Male | BNC Female |
| Contact Material and Plating | Phosphor Bronze, Gold | Phosphor Bronze, Gold |
| Coupling Nut Material and Plating | Stainless Steel | |
| Body Material and Plating | Brass, Tri-Metal | Brass, Tri-Metal |

Environmental Specifications

Temperature

Operating Range

-55 to +125 deg C

Compliance Certifications

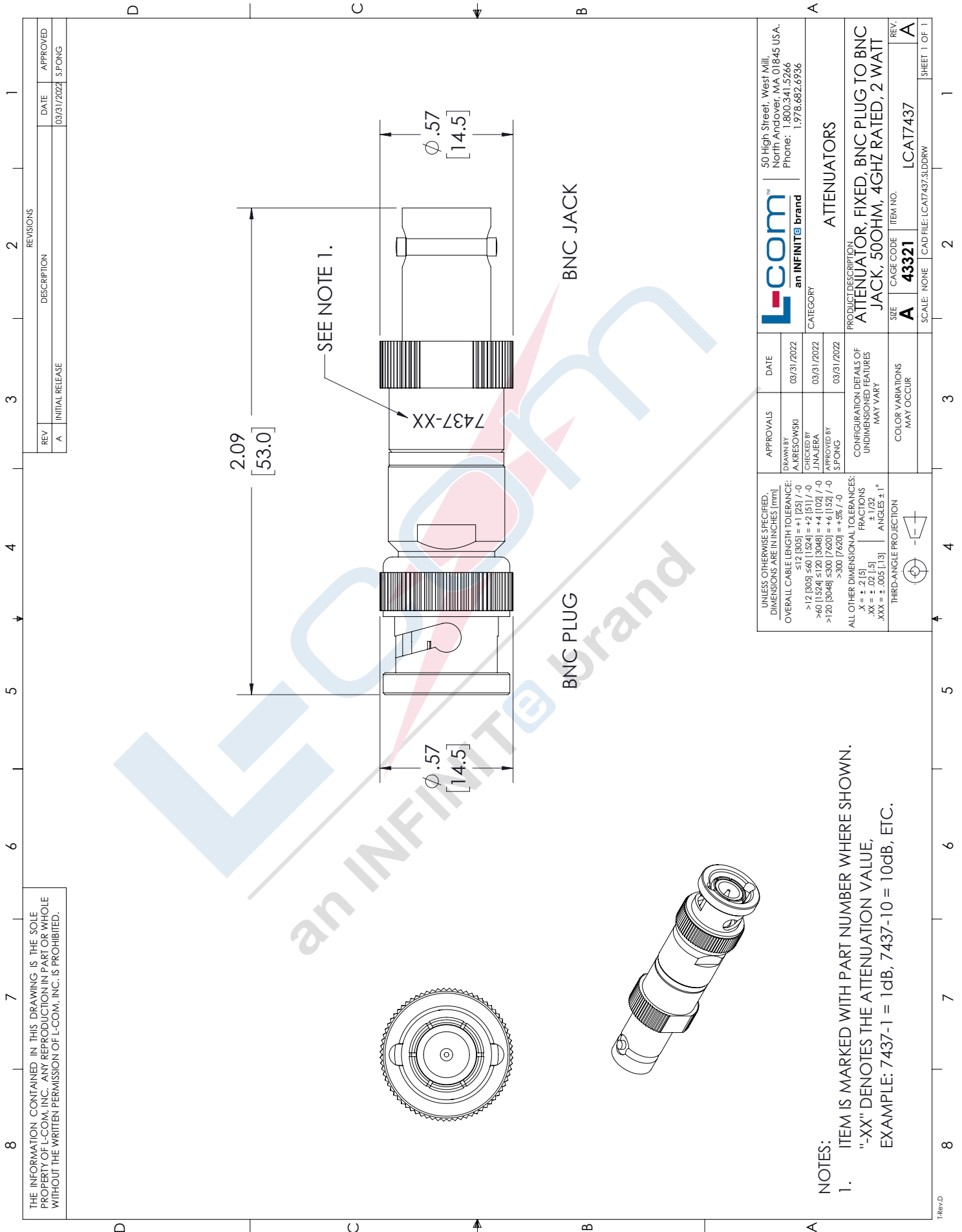
Plotted and Other Data

Our portfolio includes coaxial cable assemblies, connectors, adapters and custom products as well as lightning and surge protectors, NEMA rated enclosures, and an RF product line which includes antennas, amplifiers, passive, and active components.

The information contained in this document is accurate to the best of our knowledge and representative of the part described herein. It may be necessary to make modifications to the part and/or the documentation of the part, in order to implement improvements. L-com reserves the right to make such changes as required. Unless otherwise stated, all specifications are nominal. L-com does not make any representation or warranty regarding the suitability of the part described herein for any particular purpose, and L-com does not assume any liability arising out of the use of any part or documentation.

L-COM CAD Drawing

2W/10 dB Fixed Attenuator, BNC Male to BNC Female Brass Tri-Metal Body Up to 4 GHz



THE INFORMATION CONTAINED IN THIS DRAWING IS THE SOLE PROPERTY OF L-COM, INC. ANY REPRODUCTION IN PART OR WHOLE WITHOUT THE WRITTEN PERMISSION OF L-COM, INC. IS PROHIBITED.

| | | | | |
|---|-------------------------------------|--|------------|---|
| UNLESS OTHERWISE SPECIFIED, DIMENSIONS ARE IN INCHES [mm] | | APPROVALS | DATE | L-com an INFINITE brand CATEGORY: ATTENUATORS PRODUCT DESCRIPTION: ATTENUATOR, FIXED, BNC PLUG TO BNC JACK, 500HM, 4GHZ RATED, 2 WATT 50 High Street, West Mill, North Andover, MA 01845 USA. Phone: 1.800.341.5266 1.978.682.6936 |
| OVERALL CABLE LENGTH TOLERANCE: | <12 [305] ≤60 [1524] = +1 [25] / -0 | DRAWN BY | 03/31/2022 | |
| >60 [1524] ≤120 [3048] = +4 [102] / -0 | >300 [7620] = +5% / -0 | CHECKED BY | 03/31/2022 | |
| >120 [3048] = +300 [7620] = +5% / -0 | | APPROVED BY | 03/31/2022 | |
| ALL OTHER DIMENSIONAL TOLERANCES: | | CONFIGURATION DETAILS OF UNDIMENSIONED FEATURES MAY VARY | | REV. A |
| X = ± 0.01 [0.25] | FRACTIONS ± 0.005 [0.127] | COLOR VARIATIONS MAY OCCUR | | ITEM NO. LCA17437 |
| XX = ± 0.02 [0.51] | FRACTIONS ± 0.01 [0.25] | | | CAGE CODE |
| XXX = ± 0.005 [0.127] | ANGLES ± 1° | | | SCALE: NONE CAD FILE: LCA17437.3LDDRW |
| THIRD-ANGLE PROJECTION | | | | SHEET 1 OF 1 |

- NOTES:
- ITEM IS MARKED WITH PART NUMBER WHERE SHOWN. "-XX" DENOTES THE ATTENUATION VALUE, EXAMPLE: 7437-1 = 1dB, 7437-10 = 10dB, ETC.