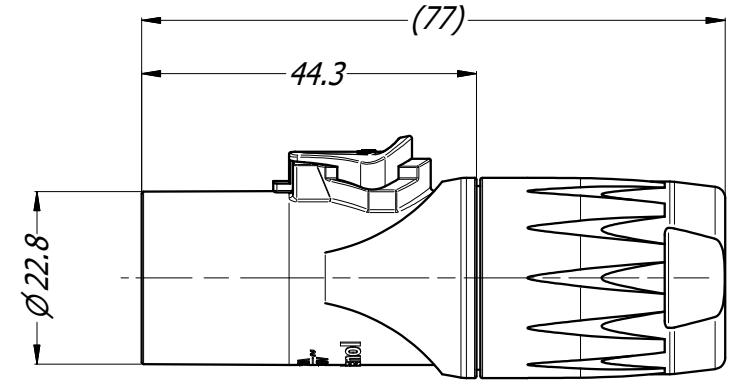
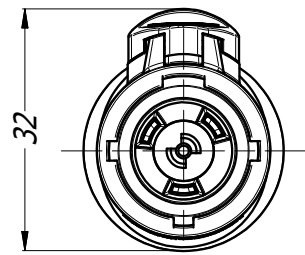
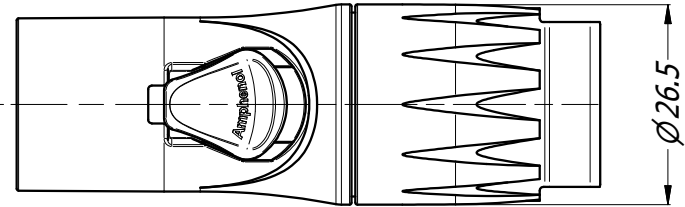


**3D VIEW**  
3:4



**PATENTS AND APPLICATIONS :**

- US D839193
- US 10823914B2
- EP 3514892B1
- JP 6705027B2
- DE 102018101431A1
- HK 40009428A
- CN 110071397A
- EP 3641070A1

**NOTES:**

1. CABLE OD RANGE:
  - SMALL GROMMET: 7.5 - 10.0 mm OD
  - MEDIUM GROMMET: 9.5 - 13.0 mm OD
  - BIG GROMMET: 12.7 - 16.0 mm OD
2. BACKSHELL TORQUE: 3.7 Nm

UNLESS OTHERWISE SPECIFIED TOLERANCE TO BE		THIS DOCUMENT IS THE PROPERTY OF AMPHENOL AUSTRALIA PTY. LTD. NO PART THEREOF MAY BE REPRODUCED AND USED WITHOUT THE PRIOR WRITTEN CONSENT OF THE OWNER.			
LINEAR	ANGULAR	MATERIAL:	DRN:	T.N	DATE: 26/07/19
X ± 0.5	X' ± 1		CKD:	P.M	DATE: 26/07/19
X.X ± 0.1	X.X' ± 30'		APP'D:	P.M	DATE: 26/07/19
X.X ± 0.05	X.X'X" ± 15'		SCALE:	<b>1:1</b>	SIZE: <b>A4</b>
BREAK ALL SHARP EDGES AND REMOVE ALL BURRS		FINISH:	THIRD ANGLE PROJECTION		
DO NOT SCALE					
DIMENSIONS IN MILLIMETRES					



Amphenol Australia Pty.Ltd,  
22 Industry Blvd, Carrum Downs VIC 3201

<b>CABLE CONNECTOR</b> <b>MALE HPT SERIES</b> <b>CABLE OD 7.5- 16.0mm</b>	PART No:	REV
	<b>HPT-3-MJ</b>	<b>3</b>
	DRAWING No.	SHEET
	<b>55011361-000-2</b>	<b>2/2</b>