

# PBES16L2IR ✓ ACTIVE

Alcoswitch | Alcoswitch Emergency Stop Switch

TE Internal #: 1-2381880-9

Push Button Switches, Single Pole - Double Throw Configuration (Pole-Throw), Emergency Stop, 1 Actuator, Alcoswitch Emergency Stop Switch

[View on TE.com >](#)



Relays, Contactors & Switches > Switches > Push Button Switches



Configuration (Pole-Throw): **Single Pole - Double Throw**

Push Button Switch Product Type: **Emergency Stop**

Number of Actuators: **1**

Actuator Profile: **Extended**

Bushing Style: **Threaded**

## Features

### Product Type Features

|                                 |                |
|---------------------------------|----------------|
| Switch Type                     | Pushbutton     |
| Dust Proof                      | Yes            |
| Push Button Switch Product Type | Emergency Stop |
| Illuminated                     | Yes            |
| Actuator Style                  | Top            |

### Configuration Features

|                            |                                      |
|----------------------------|--------------------------------------|
| ESD Grounding Terminal     | Without                              |
| Detent Style               | Audible                              |
| Ganged                     | No                                   |
| Panel Cutout Size          | 16 (Diameter) mm [.63 (Diameter) in] |
| Configuration (Pole-Throw) | Single Pole - Double Throw           |
| Number of Actuators        | 1                                    |
| Snap Action                | With                                 |
| Tactile                    | Yes                                  |



|                    |            |
|--------------------|------------|
| Operating Function | Maintained |
|--------------------|------------|

### Electrical Characteristics

|                                   |         |
|-----------------------------------|---------|
| Push Button Switch Voltage Rating | 120 VAC |
|-----------------------------------|---------|

### Body Features

|           |               |
|-----------|---------------|
| Seal Type | Rubber O-Ring |
|-----------|---------------|

|                |               |
|----------------|---------------|
| Actuator Force | 2040 g[72 oz] |
|----------------|---------------|

|               |     |
|---------------|-----|
| Case Material | PPA |
|---------------|-----|

|                   |           |
|-------------------|-----------|
| Actuator Material | Polyamide |
|-------------------|-----------|

|                  |          |
|------------------|----------|
| Actuator Profile | Extended |
|------------------|----------|

|               |          |
|---------------|----------|
| Bushing Style | Threaded |
|---------------|----------|

|                     |         |
|---------------------|---------|
| Bushing Thread Size | M16 x 1 |
|---------------------|---------|

|                |     |
|----------------|-----|
| Actuator Color | Red |
|----------------|-----|

### Contact Features

|                 |         |
|-----------------|---------|
| Type of Contact | NC & NO |
|-----------------|---------|

|                       |              |
|-----------------------|--------------|
| Contact Base Material | Copper Alloy |
|-----------------------|--------------|

|   |     |
|---|-----|
| Push Button Switch Contact Current Rating | 3 A |
|---|-----|

### Termination Features

|                  |           |
|------------------|-----------|
| Termination Type | Wire Lugs |
|------------------|-----------|

### Mechanical Attachment

|                   |          |
|-------------------|----------|
| Attachment Method | Screw-On |
|-------------------|----------|

|                |          |
|----------------|----------|
| Mounting Angle | Vertical |
|----------------|----------|

|                                  |       |
|----------------------------------|-------|
| Push Button Switch Mounting Type | Panel |
|----------------------------------|-------|

### Dimensions

|                 |                |
|-----------------|----------------|
| Actuator Length | 31 mm[1.22 in] |
|-----------------|----------------|

|                  |               |
|------------------|---------------|
| Bushing Diameter | 16 mm[.63 in] |
|------------------|---------------|

|                |                  |
|----------------|------------------|
| Bushing Length | 42.4 mm[1.67 in] |
|----------------|------------------|

### Usage Conditions

|           |    |
|-----------|----|
| Oil-Tight | No |
|-----------|----|

### Industry Standards

|           |      |
|-----------|------|
| IP Rating | IP65 |
|-----------|------|

### Packaging Features



|                  |      |
|------------------|------|
| Packaging Method | Bulk |
|------------------|------|

### Product Compliance

[For compliance documentation, visit the product page on TE.com>](#)

|   |   |
|---|---|
| EU RoHS Directive 2011/65/EU                  | Compliant   |
| EU ELV Directive 2000/53/EC                   | Not Yet Reviewed  |
| China RoHS 2 Directive MIIT Order No 32, 2016 | No Restricted Materials Above Threshold   |
| EU REACH Regulation (EC) No. 1907/2006        | Current ECHA Candidate List: JUNE 2022 (224)<br>Candidate List Declared Against: JUNE 2022 (224)<br>Does not contain REACH SVHC |
| Halogen Content                               | Low Halogen - Br, Cl, F, I < 900 ppm per homogenous material. Also BFR/CFR/PVC Free   |
| Solder Process Capability                     | Not reviewed for solder process capability  |

#### Product Compliance Disclaimer

This information is provided based on reasonable inquiry of our suppliers and represents our current actual knowledge based on the information they provided. This information is subject to change. The part numbers that TE has identified as EU RoHS compliant have a maximum concentration of 0.1% by weight in homogenous materials for lead, hexavalent chromium, mercury, PBB, PBDE, DBP, BBP, DEHP, DIBP, and 0.01% for cadmium, or qualify for an exemption to these limits as defined in the Annexes of Directive 2011/65/EU (RoHS2). Finished electrical and electronic equipment products will be CE marked as required by Directive 2011/65/EU. Components may not be CE marked. Additionally, the part numbers that TE has identified as EU ELV compliant have a maximum concentration of 0.1% by weight in homogenous materials for lead, hexavalent chromium, and mercury, and 0.01% for cadmium, or qualify for an exemption to these limits as defined in the Annexes of Directive 2000/53/EC (ELV). Regarding the REACH Regulation, the information TE provides on SVHC in articles for this part number is based on the latest European Chemicals Agency (ECHA) 'Guidance on requirements for substances in articles' posted at this URL: <https://echa.europa.eu/guidance-documents/guidance-on-reach>

### Compatible Parts

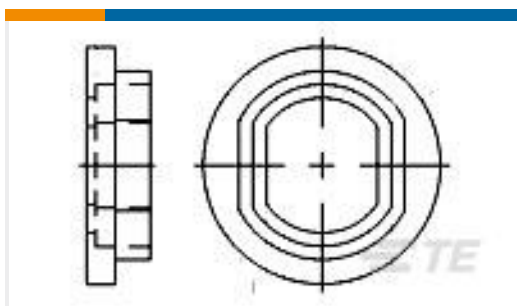


Also in the Series | [Alcoswitch Emergency Stop Switch](#)



Push Button Switches(42)

## Customers Also Bought

TE Part #K1160479  
Push button switch TS-211-GE11TE Part #2-330312-2  
MINIATURE THREADED  
RECEPTACLESTE Part #ZPF00000000015349  
DMC-M 44-01 A1064TE Part #016897-000  
101A031-25/86-0TE Part #329487  
MIN THRD,BUSHINGTE Part #ZPF00000000008208  
983-6KE 10-06 PN-LTE Part #YDTS20T17-26BNV001  
RECP ASSYTE Part #YACT24JD18AN000000  
JAM NUT RECEPTACLE

## Documents

### Product Drawings

PBES16 28 INCA 14 V AC/DC 80mA 1NC 1NO

English

### CAD Files

[3D PDF](#)

3D

Customer View Model

[ENG\\_CVM\\_CVM\\_1-2381880-9\\_A.2d\\_dxf.zip](#)

English

Customer View Model

[ENG\\_CVM\\_CVM\\_1-2381880-9\\_A.3d\\_igs.zip](#)

English

Customer View Model

[ENG\\_CVM\\_CVM\\_1-2381880-9\\_A.3d\\_stp.zip](#)

English

By downloading the CAD file I accept and agree to the [Terms and Conditions](#) of use.



---

[Datasheets & Catalog Pages](#)

[ALCOSWITCH PBES16 Series](#)

English