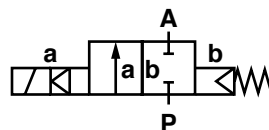


For slightly aggressive gases and liquids
Indirectly solenoid actuated
Diaphragm valves
Internal thread 1/4" NPT to 2" NPT

Click-on®
 Solenoid interchangeable without tools



Technical specifications

Description (standard valve)

Solenoid valve for slightly aggressive gases and liquids
 Switching function: normally closed
 Flow direction: determined
 Differential pressure: 1.45 psi (0.1 bar) required
 [4.35 psi ((0.3 bar) for EPDM]

Fluid temperature:

14°F up to max. 194°F
 (-10°C up to max. 90°C)

Ambient temperature:

14°F up to max. 122°F
 (-10°C up to max. 50°C)

Operating pressure:

1.45 to 232 psi (0.1 to 16 bar)
 (see technical data)

Mounting position: as required,
 preferably with solenoid vertical
 on top

Material

Body: Stainless steel 1.4408
 Seat seal: NBR
 Internal parts: Stainless steel, PVDF

For contaminated fluids the use of a
 strainer upstream of the valve is recom-
 mended.

Features

High flow rate
 Damped operation
 Functional compact design
 Solenoid interchangeable without
 tools (Click-on®)

Technical data

Connection size NPT	Orifice inch	Cv-Value	Weight (lb)	Part number*	Operating pressure psi				
					NBR	Normally open	Manual override	FPM 230°F (110°C)	EPDM 230°F (110°C)
					00	01	02	03	14
1/4	0.3	2.2	1.04	82740XX.9101.XXXXX	1.45 - 232	1.45 - 232	1.45 - 232	1.45 - 232	4.35 - 232
3/8	0.4	3.5	0.99	82741XX.9101.XXXXX	1.45 - 232	1.45 - 232	1.45 - 232	1.45 - 232	4.35 - 232
1/2	0.5	4.4	1.1	82742XX.9101.XXXXX	1.45 - 232	1.45 - 232	1.45 - 232	1.45 - 232	4.35 - 232
3/4	0.8	6.9	1.43	82743XX.9101.XXXXX	1.45 - 232	1.45 - 232	1.45 - 232	1.45 - 232	4.35 - 232
1	1.0	10.9	2.09	82744XX.9101.XXXXX	1.45 - 232	1.45 - 232	1.45 - 232	1.45 - 232	4.35 - 232
1-1/4	1.3	26.5	5.73	82745XX.9101.XXXXX	1.45 - 145	-	1.45 - 145	1.45 - 145	4.35 - 145
1-1/4	1.3	26.5	5.73	82745XX.9151.XXXXX	1.45 - 232	1.45 - 232	1.45 - 232	1.45 - 232	4.35 - 232
1-1/2	1.6	28.8	6.26	82746XX.9101.XXXXX	1.45 - 145	-	1.45 - 145	1.45 - 145	4.35 - 145
1-1/2	1.6	28.8	6.26	82746XX.9151.XXXXX	1.45 - 232	1.45 - 232	1.45 - 232	1.45 - 232	4.35 - 232
2	2.0	47.2	8.45	82747XX.9101.XXXXX	1.45 - 145	-	1.45 - 145	1.45 - 145	4.35 - 145
2	2.0	47.2	8.45	82747XX.9151.XXXXX	1.45 - 232	1.45 - 232	1.45 - 232	1.45 - 232	4.35 - 232

* For orders please state voltage and frequency, e.g.: 8274200.9101.23050 for 230V 50Hz or 8274200.9101.02400 for 24 VDC

Solenoid 9101 / 9151 (standard voltages)

DC	AC	
	50Hz	60Hz
24V	24V	-
-	110V	120V
-	230V	220V

Power consumption

Solenoid	DC	AC	
		Inrush	Holding
9101	8W	15VA	12VA
9151	18W	45VA	35VA

Design according to DIN VDE 0580

Voltage range +/- 10%, duty cycle 100%

Protection class according to EN 60529: IP65

Electrical connector according to DIN EN 175301-803 (included)

The solenoids are UL listed and CSA approved

Mounting bracket*

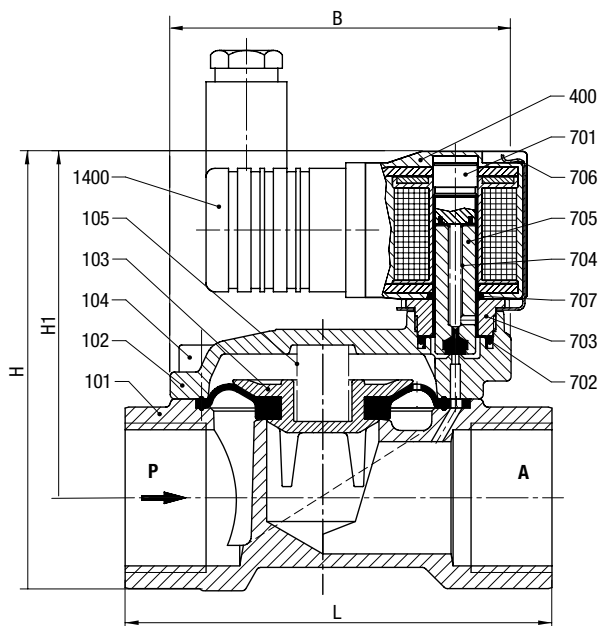
Connection size NPT	Part number
1/4, 3/8, 1/2	1258986.0000.00000
3/4	1258991.0000.00000
1	1258996.0000.00000
1 1/4, 1 1/2	1259005.0000.00000
2	1259007.0000.00000

* For image of valve with mounting bracket, see 82410 series

Drawing legend

Index	Description
101	Valve body
102	Valve cover
*103	Diaphragm
104	Allen head screw
*105	Pressure spring
400	Solenoid
701	Core tube
*702	O-ring
703	Screw piece
*704	Pressure spring
*705	Plunger
706	Spring clip
*707	O-ring
1400	Electrical connector (enclosed)

* A service kit consists of these individual parts.



With solenoid 9101

Connection size NPT	L Inches	B Inches	H Inches	H1 Inches
1/4	2.36	1.73	3.09	2.64
3/8	2.36	1.73	3.09	2.64
1/2	2.64	1.73	3.19	2.64
3/4	3.15	1.97	3.46	2.81
1	3.74	2.44	3.84	3.03
1 1/4	5.20	3.62	4.90	3.76
1 1/2	5.20	3.62	4.90	3.76
2	6.30	4.29	5.61	4.25

Service kits

For valves with solenoid 9101	Part number
8274000.0000.00000	1256274.0000.00000
8274100.0000.00000	1256274.0000.00000
8274200.0000.00000	1256274.0000.00000
8274300.0000.00000	1256275.0000.00000
8274400.0000.00000	1256276.0000.00000
8274500.0000.00000	1259344.0000.00000
8274600.0000.00000	1259344.0000.00000
8274700.0000.00000	1259367.0000.00000
For valves with solenoid 9151	Part number
8274500.0000.00000	1269065.0000.00000
8274600.0000.00000	1269065.0000.00000
8274700.0000.00000	1269066.0000.00000

With solenoid 9151

Connection size NPT	L Inches	B Inches	H Inches	H1 inches
1 1/4	5.20	3.62	5.59	4.45
1 1/2	5.20	3.62	5.59	4.45
2	6.30	4.29	6.30	4.94

Further options (valves)

- Explosion protected version
- Flange connections
- Sealed core tube
- Latching version in DC only
- Low power consumption 2W (only 24 VDC)
- With NPT thread

Further options (solenoids)

XXXXXXX.9136 Solenoid in protection class $\text{Ex II 2 GD EEx m II T4 T}$ 130°C, with 3 m connection cable

Further options on request