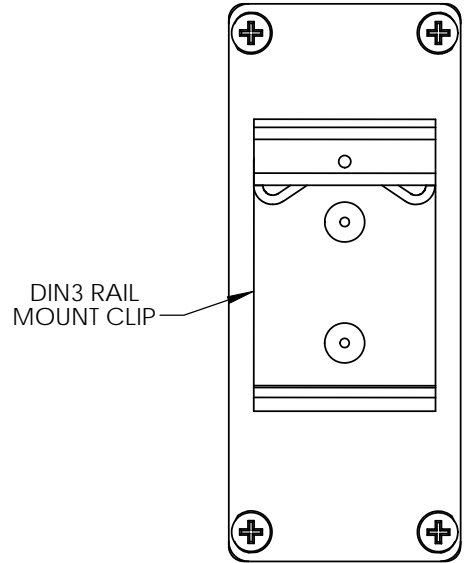
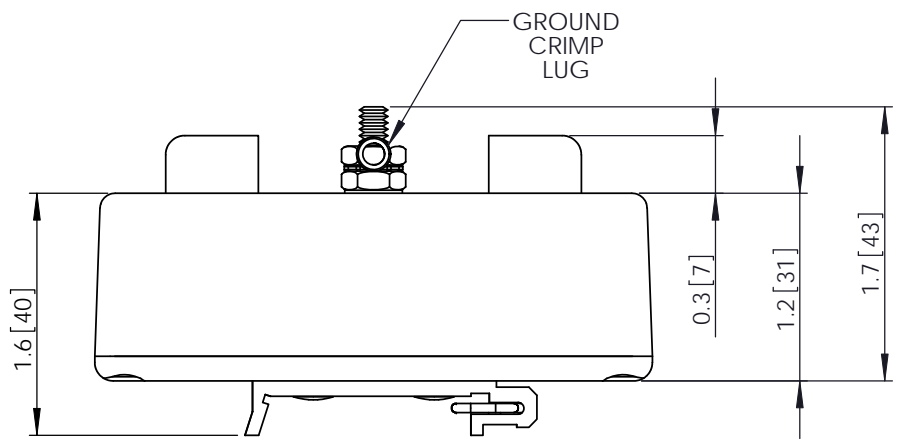
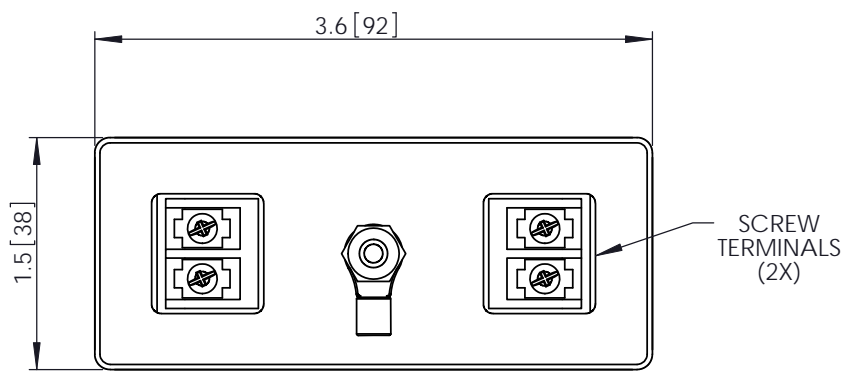


THE INFORMATION CONTAINED IN THIS DRAWING IS THE SOLE PROPERTY OF L-COM, INC. ANY REPRODUCTION IN PART OR WHOLE WITHOUT THE WRITTEN PERMISSION OF L-COM, INC. IS PROHIBITED.

REVISIONS			
REV	DESCRIPTION	DATE	APPROVED
A	INITIAL RELEASE	09/15/11	B.PUCHASKI
-	-	-	-
-	-	-	-


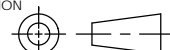


NOTES:

COMPONENT ASSEMBLY SHALL BE INDIVIDUALLY PACKAGED IN ACCORDANCE WITH L-COM SPECIFICATION PKG-00012

- ALL DIMENSIONS FOR REFERENCE -

RoHS Compliant ✓

UNLESS OTHERWISE SPECIFIED, DIMENSIONS ARE IN INCHES [mm]	APPROVALS	DATE	 45 BEECHWOOD DRIVE NORTH ANDOVER, MA 01845
	DRAWN BY B.PUCHASKI	09/15/11	
DIMENSIONAL TOLERANCES: .X = ±.1 .XX = ±.01 .XXX = ±.005	CHECKED BY K.BURGNER	09/15/11	CATEGORY LIGHTNING PROTECTORS
	APPROVED BY K.BURGNER	09/15/11	PRODUCT DESCRIPTION HGLND-D1-XX LIGHTNING PROTECTOR
ANGULAR TOLERANCES: ALL = ± 1°	CONFIGURATION DETAILS OF UNDIMENSIONED FEATURES MAY VARY		SIZE A
PROJECTION 	COLOR VARIATIONS MAY OCCUR	FSCM NO. 43321	DWG. NO. HGLND-D1-XX
		SCALE: NONE	CAD FILE: HGLND-D1-XX.SLDDRW
		SHEET 1 OF 1	