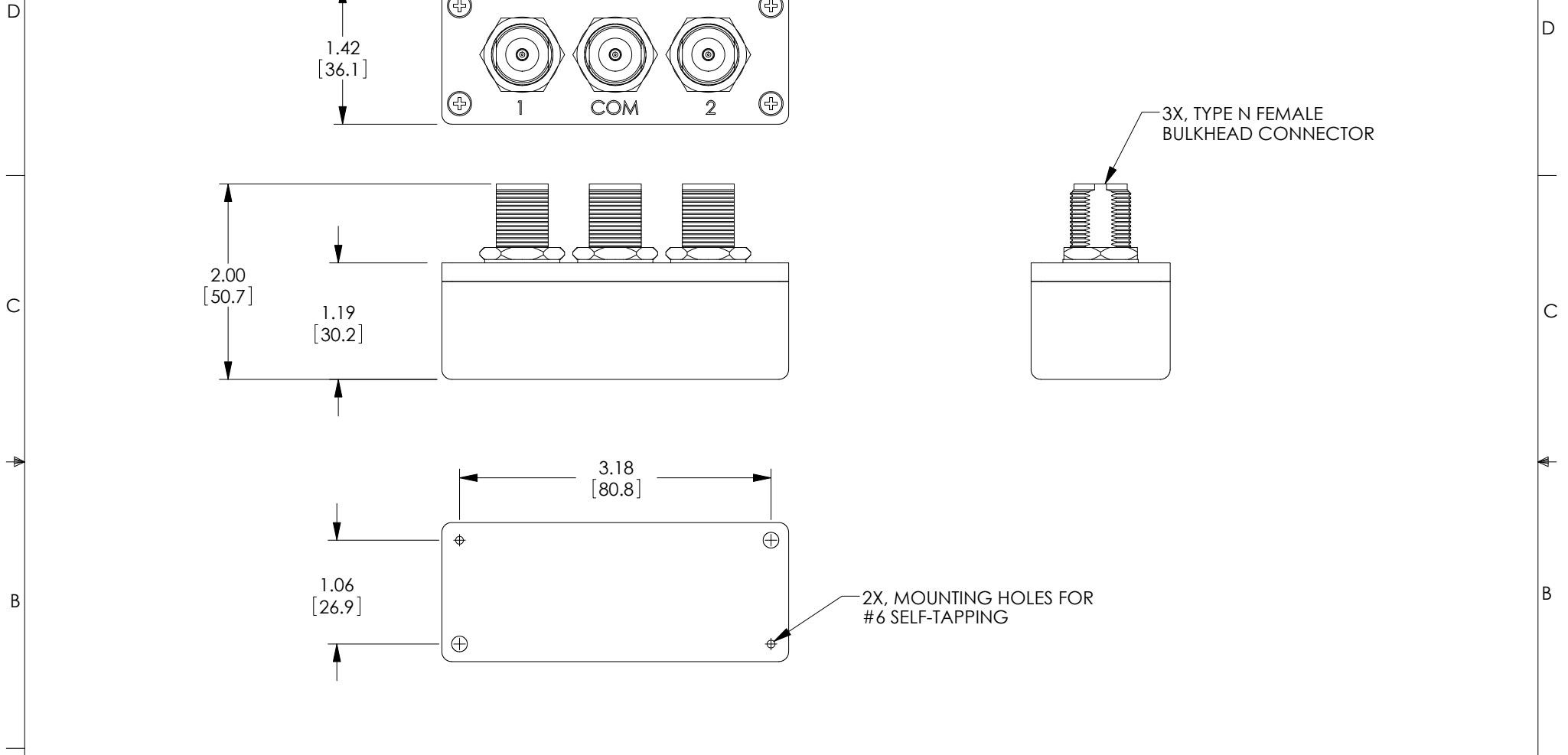


THE INFORMATION CONTAINED IN THIS DRAWING IS THE SOLE PROPERTY OF L-COM, INC. ANY REPRODUCTION IN PART OR WHOLE WITHOUT THE WRITTEN PERMISSION OF L-COM, INC. IS PROHIBITED.

| REVISIONS | | | |
|-----------|---|-----------|-------------|
| REV | DESCRIPTION | DATE | APPROVED |
| B | ECN 5354: CN RELEASE, NEW FORMAT | 3/1/11 | D.FRISIELLO |
| C | ECN 5402: REMOVE "PS-0031" FROM PACKAGING NOTE | 3/22/11 | D.FRISIELLO |
| D | ECN 8939: ADD REGULATORY COMPLIANCE UL60950-22 & IEC 60529-IP65 | 9/25/2017 | R.CLARK |
| E | ECN 8966 ADD IP6X COMPLIANT TO NOTES | 10/20/17 | B.PUCHASKI |



NOTES:

1. ALL DIMENSIONS ARE FOR REFERENCE ONLY.
2. COMPONENT SHALL BE INDIVIDUALLY PACKAGED IN ACCORDANCE WITH L-COM SPECIFICATIONS.

REGULATORY COMPLIANCE:

CE2011/65/EU(RoHS DIRECTIVE)
 UL 60950-22 (ANNEX B): PROTECTION AGAINST WATER
 IEC 60529-IP65: PROTECTION AGAINST WATER JETS
 IP6X COMPLIANT FOR DUST TIGHT SPECIFICATIONS



| | | | | |
|---|--|---------|----------------------------------|--|
| UNLESS OTHERWISE SPECIFIED, DIMENSIONS ARE IN INCHES [mm] OVERALL CABLE LENGTH TOLERANCE: ≤12 [305] = +1 [25] / -0 >12 [305] ≤60 [1524] = +2 [51] / -0 >60 [1524] ≤120 [3048] = +4 [102] / -0 >120 [3048] ≤300 [7620] = +6 [152] / -0 >300 [7620] = +5% / -0% | APPROVALS | DATE | | 50 HIGH STREET NORTH ANDOVER, MA 01845 |
| | DRAWN BY K.BURGNER | 7/14/05 | | CATEGORY |
| ALL OTHER DIMENSIONAL TOLERANCES: .X = ± .2 [5.08] .XX = ± .02 [51] .XXX = ±.005 [1.13] | CHECKED BY K.BURGNER | 7/14/05 | PRODUCT DESCRIPTION | |
| PROJECTION | APPROVED BY K.BURGNER | 7/14/05 | 2.4 GHz SPLITTER 2-WAY, N-FEMALE | |
| | CONFIGURATION DETAILS OF UNDIMENSIONED FEATURES MAY VARY | | SIZE A | FSCM NO. 43321 |
| | COLOR VARIATIONS MAY OCCUR | | DWG. NO. SC2402N | REV. E |
| | | | SCALE: NONE | CAD FILE: SC2402N.SLDDRW |
| | | | | SHEET 1 OF 1 |