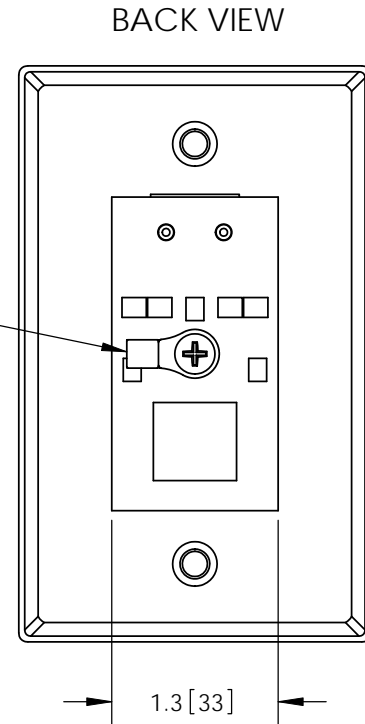
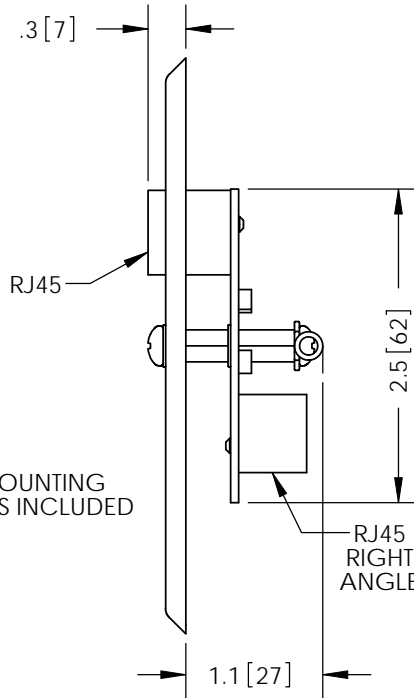
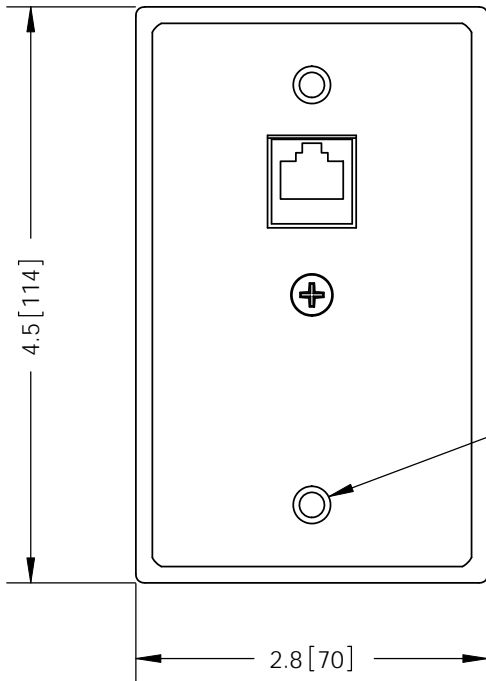
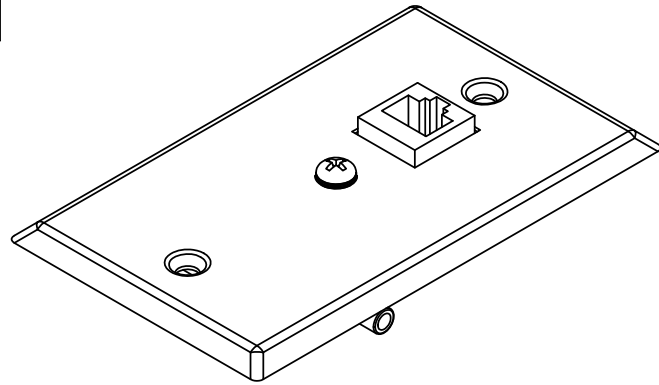


THE INFORMATION CONTAINED IN THIS DRAWING IS THE SOLE PROPERTY OF L-COM, INC. ANY REPRODUCTION IN PART OR WHOLE WITHOUT THE WRITTEN PERMISSION OF L-COM, INC. IS PROHIBITED.

REVISIONS			
REV	DESCRIPTION	DATE	APPROVED
A	INITIAL RELEASE	10/18/11	B.PUCHASKI



(2) MOUNTING SCREWS INCLUDED

GROUND LUG

RJ45 RIGHT ANGLE

RoHS Compliant ✓

NOTES:  
 PACKAGING:  
 COMPONENT SHALL BE PACKAGED IN ACCORDANCE WITH L-COM SPEC PKG-00012  
 - ALL DIMENSION FOR REFERENCE -

UNLESS OTHERWISE SPECIFIED, DIMENSIONS ARE IN INCHES [mm]  DIMENSIONAL TOLERANCES: .X = ±.1 .XX = ±.01 .XXX = ±.005  ANGULAR TOLERANCES: ALL = ± 1°  PROJECTION	APPROVALS	DATE		45 BEECHWOOD DRIVE NORTH ANDOVER, MA 01845	
	DRAWN BY B.PUCHASKI	10/18/11			
	CHECKED BY K.BURGNER	10/18/11	CATEGORY	LIGHTNING PROTECTORS	
	APPROVED BY K.BURGNER	10/18/11	PRODUCT DESCRIPTION		WALL MOUNT CAT5 SURGE PROTECTOR RJ45/RIGHT ANGLE RJ45
	CONFIGURATION DETAILS OF UNDIMENSIONED FEATURES MAY VARY	SCALE: NONE	CAD FILE: WPCAT5.SLDDRW	SHEET 1 OF 1	
	COLOR VARIATIONS MAY OCCUR	SIZE <b>A</b>	FSCM NO. <b>43321</b>	DWG. NO. <b>WPCAT5</b>	REV. <b>A</b>