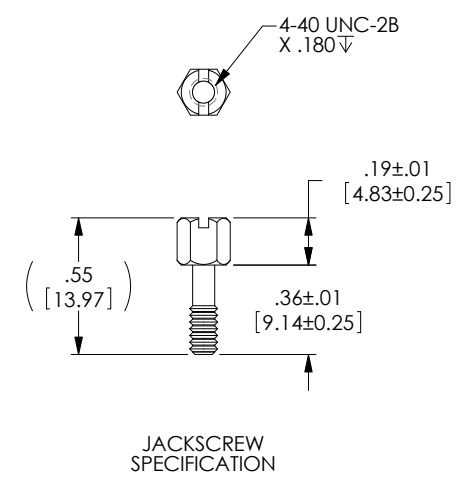
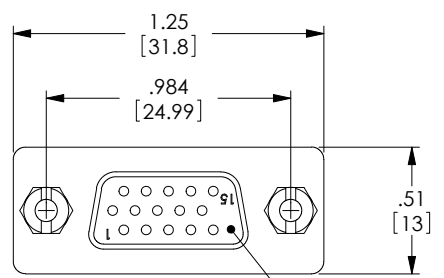
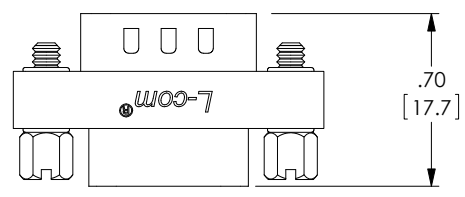
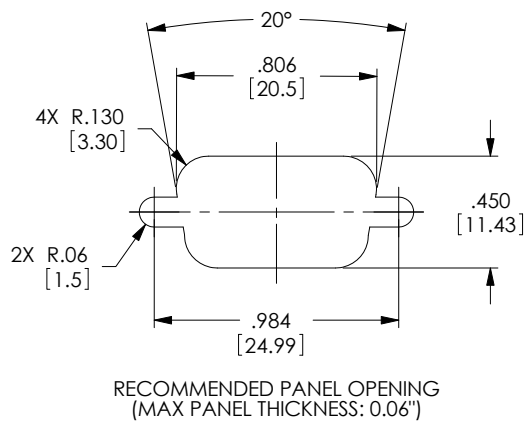


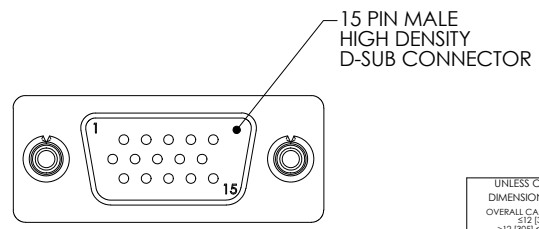
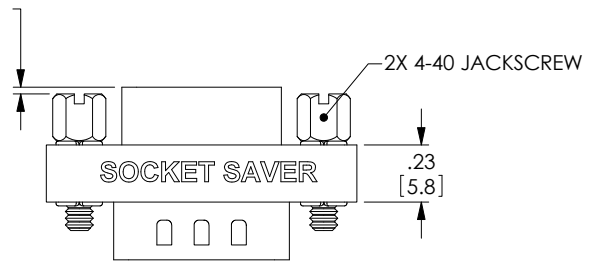
THE INFORMATION CONTAINED IN THIS DRAWING IS THE SOLE PROPERTY OF L-COM, INC. ANY REPRODUCTIONS IN PART OR WHOLE WITHOUT THE WRITTEN PERMISSION OF L-COM, INC. IS PROHIBITED.

REVISIONS			
REV	DESCRIPTION	DATE	CHANGED BY
A	DRAWING REPLACES DGBV15MF-OD1	9/22/14	D.FRISIELLO



NOTES:
 MATERIAL:
 SHELL: STEEL
 CONTACTS: COPPER ALLOY
 HARDWARE: BRASS
 INSULATOR: PBT FIBER REINFORCED (UL94V-0 RATED)
 FINISH:
 SHELL: TIN/NICKEL PLATED
 CONTACTS: GOLD FLASH PLATED
 HARDWARE: NICKEL PLATED
 ELECTRICAL:
 CURRENT RATING: 3 AMP
 MISCELLANEOUS:
 OPERATING TEMPERATURE RANGE: -55°C TO +105°C.
 PIN 9 IS OMITTED.
 ALL OTHER PINS ARE WIRED STRAIGHT THROUGH.
 COMPONENT SHALL BE TESTED FOR CONTINUITY.
 ALL DIMENSIONS ARE FOR REFERENCE ONLY.
 LABELING:
 PANTONE 2945 BLUE, "L-COM" FONT MyriadMM ITALIC.
 "GENDER CHANGER" FONT ARIAL BOLD, TEXT HEIGHTS; .085"
 TEXT COLOR; WHITE.

2X .03^{+0.00}_{-.03}
 [0.69⁰_{-0.762}]



PACKAGING:
 COMPONENT SHALL BE INDIVIDUALLY PACKAGED IN ACCORDANCE WITH L-COM SPECIFICATION PS-0031.

REGULATORY COMPLIANCE:
 CE2011/65/EU(RoHS DIRECTIVE)

UNLESS OTHERWISE SPECIFIED, DIMENSIONS ARE IN INCHES (mm)
 OVERALL CABLE LENGTH TOLERANCE:
 ≤12 [305] ≤60 [1524] = +.010 / -0
 >12 [305] ≤120 [3048] = +.012 / -0
 >120 [3048] ≤300 [7620] = +.0152 / -0
 >300 [7620] = +.015 / -0
 ALL OTHER DIMENSIONAL TOLERANCES:
 X = ±2 [5.08]
 XX = ±0.01 [0.25]
 XXX = ±.005 [0.127]

APPROVALS	DATE
DRAWN BY D.FAIRBANK	11/12/2001
CHECKED BY T.CLARK	11/12/2001
APPROVED BY R.CARRICK	11/13/2001



CATEGORY D-SUBMINIATURE			
PRODUCT DESCRIPTION ADPT, VGA SKT SAVER HD15M/F			
SIZE B	FSCM NO. 43321	DWG. NO. DGBV15MF	REV. A
SCALE: 2:1		CAD FILE: DGBV15MFLDDRW	
			SHEET 1 OF 1

