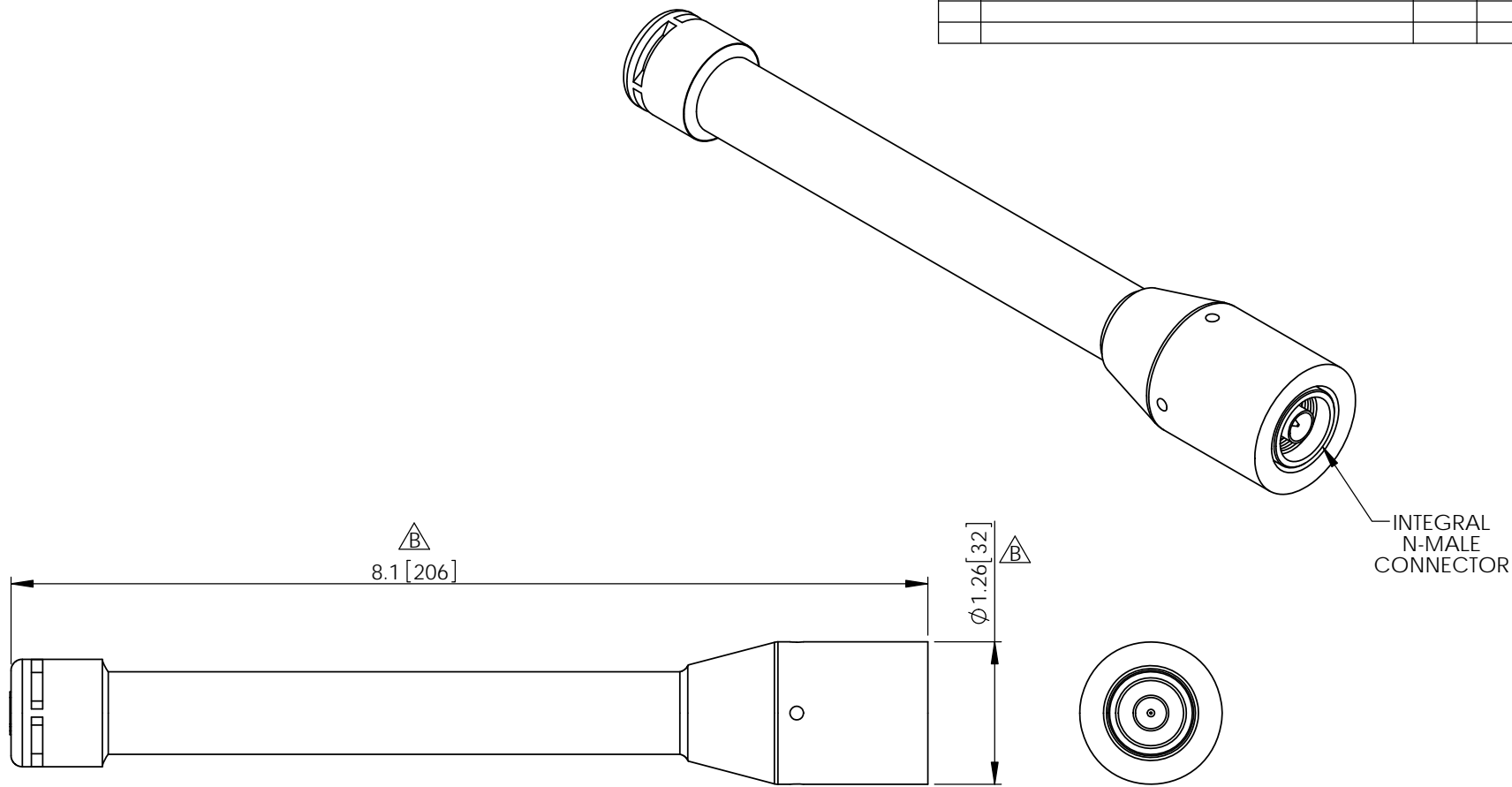


THE INFORMATION CONTAINED IN THIS DRAWING IS THE SOLE PROPERTY OF L-COM, INC. ANY REPRODUCTION IN PART OR WHOLE WITHOUT THE WRITTEN PERMISSION OF L-COM, INC. IS PROHIBITED.

REVISIONS			
REV	DESCRIPTION	DATE	APPROVED
A	INITIAL RELEASE	3/7/12	D.GRIFFIN
B	ECN 8957 UPDATE PER VENDOR SPECS	10/16/17	B.PUCHASKI



NOTES:

PACKAGING:
COMPONENT SHALL BE INDIVIDUALLY PACKAGED IN ACCORDANCE WITH L-COM SPECIFICATION PKG-00012

- ALL DIMENSIONS FOR REFERENCE ONLY -

REGULATORY COMPLIANCE:
CE2011/65/EU(RoHS DIRECTIVE)

UNLESS OTHERWISE SPECIFIED, DIMENSIONS ARE IN INCHES [mm] DIMENSIONAL TOLERANCES: .X = ±.1 [2.54] .XX = ±.01 [.25] .XXX = ±.005 [.13] ANGULAR TOLERANCES: ALL = ± 1°	APPROVALS	DATE			50 HIGH STREET NORTH ANDOVER, MA 01845	
	DRAWN BY B.PUCHASKI	03/06/12			CATEGORY	
	CHECKED BY P.PESA	03/06/12	PRODUCT DESCRIPTION		2.4GHz 4dBi OMNI ANTENNA W/ INTEGRAL N-MALE CONNECTOR	
	APPROVED BY P.PESA	03/06/12	SIZE	FSCM NO.	DWG. NO.	REV.
PROJECTION	COLOR VARIATIONS MAY OCCUR	A	43321	HG2404U	B	
SCALE: NONE		CAD FILE: HG2404U.SLDDRW			SHEET 1 OF 1	

