

THE INFORMATION CONTAINED IN THIS DRAWING IS THE SOLE PROPERTY OF L-COM, INC. ANY REPRODUCTION IN PART OR WHOLE WITHOUT THE WRITTEN PERMISSION OF L-COM, INC. IS PROHIBITED.

REVISIONS			
REV	DESCRIPTION	DATE	APPROVED
A	INITIAL RELEASE	12/07/16	D. DESJARDIN

D

D

C

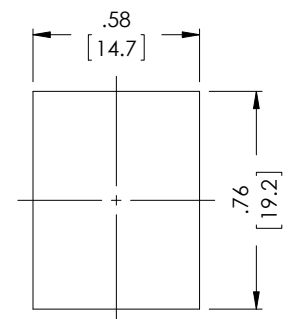
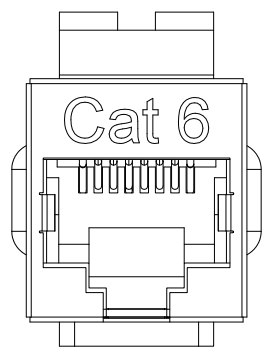
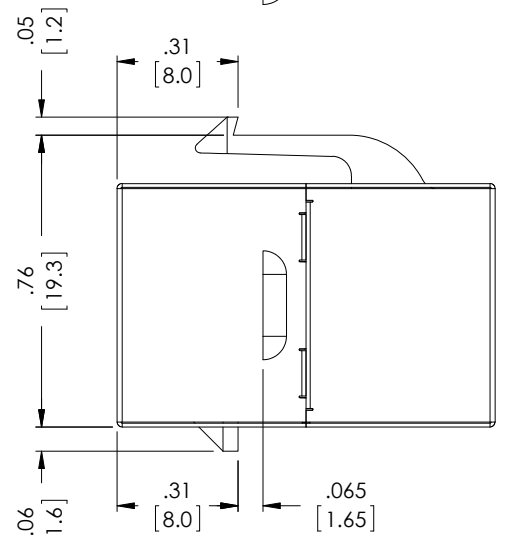
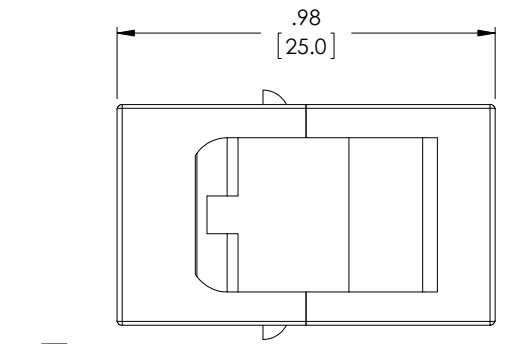
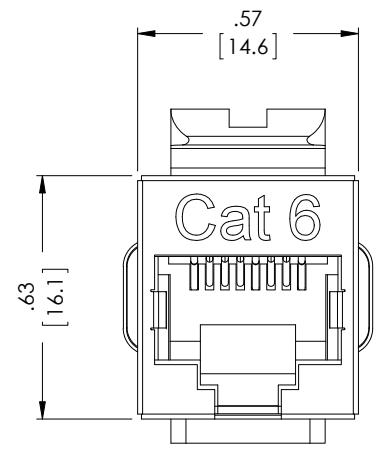
C

B

B

A

A



RECOMMENDED PANEL OPENING

NOTES:

MATERIAL:
 HOUSING SHIELD: BRASS, NICKEL PLATED
 COUPLER HOUSING: PC, UL94V-0. COLOR: WHITE
 CONTACT HOLDER: PC, UL94V-0
 CONTACTS: PHOSPHOR BRONZE, 50 μINCHES GOLD PLATE OVER 100 μINCHES NICKEL PLATE.

PHYSICAL CHARACTERISTICS:
 INSERTION LIFE: 750 MATING CYCLES WITH FCC COMPLIANT 8P PLUG.
 CONTACT FORCE: 100 GRAMS WITH FCC COMPLIANT 8P PLUG
 PLUG RETENTION FORCE: 1 LBF MIN.
 OPERATING TEMPERATURE RANGE: -10°C TO 60°C
 STORAGE TEMPERATURE RANGE: -40°C TO 68°C
 HUMIDITY: 10%~90%RH

ELECTRICAL:
 INSULATION RESISTANCE: 500 MΩ
 DIELECTRIC WITHSTANDING VOLTAGE: 1000 VAC
 DC CURRENT RATING: 1.5 AMPS
 DC RESISTANCE: 0.1Ω
 CONTACT RESISTANCE: 20mΩ.

MISCELLANEOUS:
 APPLICATION: CATEGORY 6.
 WIRING: STRAIGHT THROUGH.
 PANEL THICKNESS: .065" [1.65mm] MAX.
 ALL DIMENSIONS ARE FOR REFERENCE ONLY.

PACKAGING:
 COMPONENT SHALL BE INDIVIDUALLY PACKAGED IN ACCORDANCE WITH L-COM SPECIFICATION PS-0031.

REGULATORY COMPLIANCE:
 CE2011/65/EU (ROHS DIRECTIVE)

UNLESS OTHERWISE SPECIFIED, DIMENSIONS ARE IN INCHES [mm] OVERALL CABLE LENGTH TOLERANCE: ≤12 [305] = +1 [25] / -0 >12 [305] ≤60 [1524] = +2 [51] / -0 >60 [1524] ≤120 [3048] = +4 [102] / -0 >120 [3048] ≤300 [7620] = +6 [152] / -0 >300 [7620] = +5% / -0% ALL OTHER DIMENSIONAL TOLERANCES: .X = ± .2 [5.08] .XX = ± .02 [51] .XXX = ±.005 [1.27]	APPROVALS D. DESJARDIN	DATE 12/05/16
	CHECKED BY D. FRISIELLO	DATE 12/06/16
	APPROVED BY D. GUITADAURO	DATE 12/07/16
	CONFIGURATION DETAILS OF UNDIMENSIONED FEATURES MAY VARY	
PROJECTION 	COLOR VARIATIONS MAY OCCUR	SCALE: NONE

		50 HIGH STREET NORTH ANDOVER, MA 01845	
CATEGORY TELECOM/MODULAR			
PRODUCT DESCRIPTION CAT 6 SHLD RJ45 MINI CPLR KEYSTONE STYLE W/ LATCH			
SIZE A	FSCM NO. 43321	DWG. NO. TDG1026KS-C6-MINI	REV. A
CAD FILE: TDG1026KS-C6-MINI.SLDDRW		SHEET 1 OF 1	