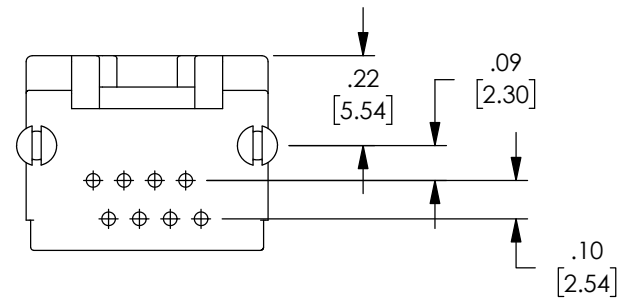
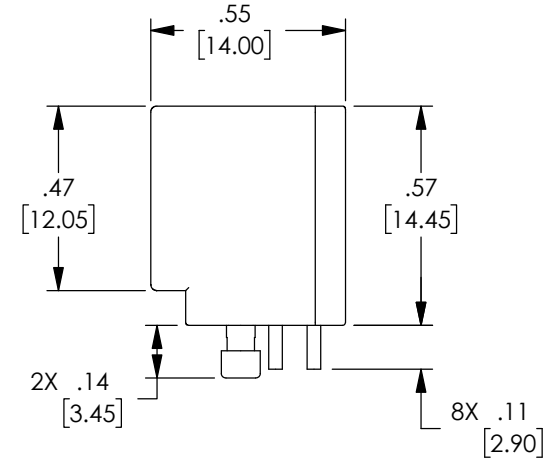
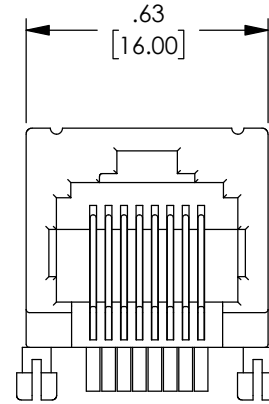
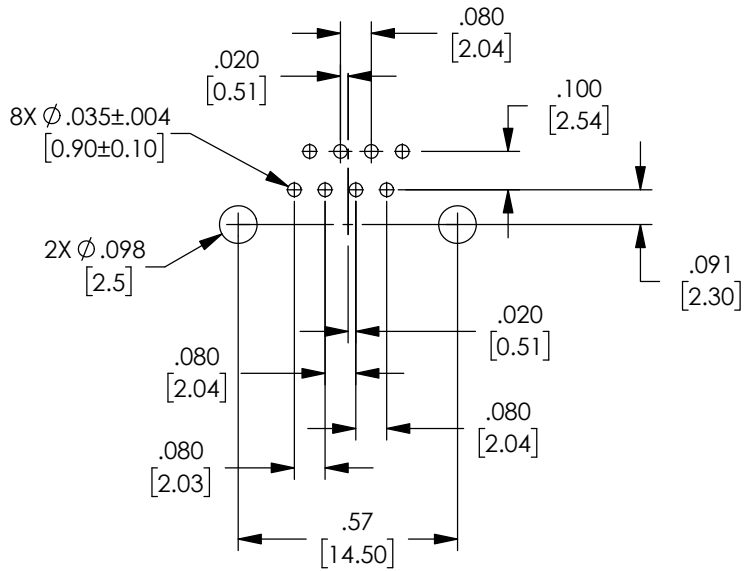


THE INFORMATION CONTAINED IN THIS DRAWING IS THE SOLE PROPERTY OF L-COM, INC. ANY REPRODUCTION IN PART OR WHOLE WITHOUT THE WRITTEN PERMISSION OF L-COM, INC. IS PROHIBITED.

REVISIONS			
REV	DESCRIPTION	DATE	APPROVED
A	INITIAL RELEASE	12/30/2019	GUTTADAURO


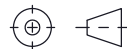


SPECIFICATIONS:

HOUSING: GLASS FILLED PBT, UL 94V-0, BLACK
 GLASS FILLED POLYESTER, UL 94V-0 (OPTIONAL)
 CONTACTS: $\phi 0.46\text{mm}$ [.018"] PHOSPHOR BRONZE,
 30 μ INCHES GOLD OVER NICKEL PLATING.

NOTES:

- ALL DIMENSIONS ARE FOR REFERENCE ONLY.
- COMPONENT SHALL BE INDIVIDUALLY PACKAGED IN ACCORDANCE WITH L-COM SPECIFICATION PS-0031.

UNLESS OTHERWISE SPECIFIED, DIMENSIONS ARE IN INCHES [mm] OVERALL CABLE LENGTH TOLERANCE: ≤12 [305] = +1 [25] / -0 >12 [305] ≤60 [1524] = +2 [51] / -0 >60 [1524] ≤120 [3048] = +4 [102] / -0 >120 [3048] ≤300 [7620] = +6 [152] / -0 >300 [7620] = +5% / -0 ALL OTHER DIMENSIONAL TOLERANCES: .X = ± .2 [5] FRACTIONS ± 1/32 .XX = ± .02 [5] ANGLES ± 1° .XXX = ± .005 [13]	APPROVALS	DATE	 50 High Street, West Mill, North Andover, MA 01845 USA. Phone: 1.800.341.5266 1.978.682.6936		
	DRAWN BY DFRISIELLO	12/30/2019		CATEGORY TELECOM/MODULAR	
CHECKED BY GUTTADAURO	12/30/2019	PRODUCT DESCRIPTION RJ45 Surface Mount Jack 90°, 30um, Black			
APPROVED BY GUTTADAURO	12/30/2019		SIZE A	CAGE CODE 43321	DWG. NO. SMJ-RJ4590
THIRD-ANGLE PROJECTION 	CONFIGURATION DETAILS OF UNDIMENSIONED FEATURES MAY VARY	COLOR VARIATIONS MAY OCCUR	SCALE: NONE	CAD FILE: SMJ-RJ4590.SLDDRW	SHEET 1 OF 1