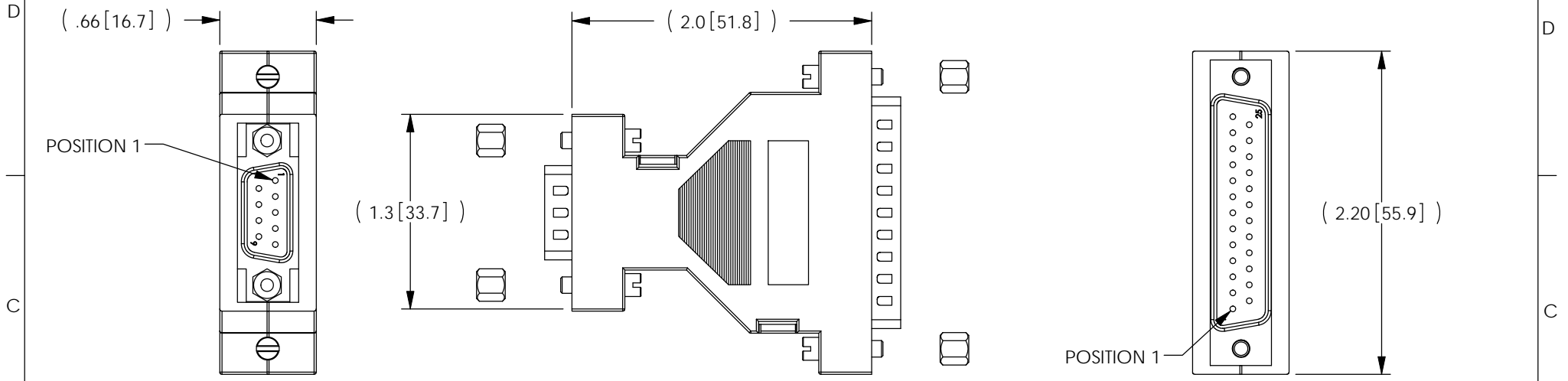


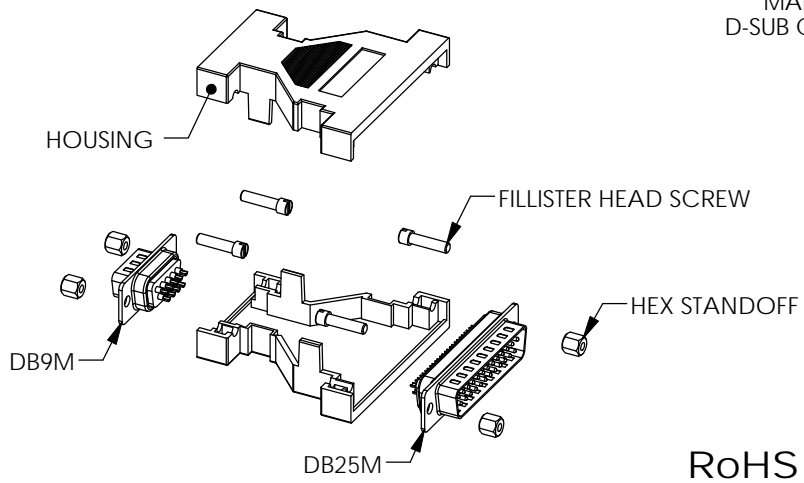
THE INFORMATION CONTAINED IN THIS DRAWING IS THE SOLE PROPERTY OF L-COM, INC. ANY REPRODUCTION IN PART OR WHOLE WITHOUT THE WRITTEN PERMISSION OF L-COM, INC. IS PROHIBITED.

REVISIONS			
REV	DESCRIPTION	DATE	APPROVED
A	INITIAL RELEASE	11/05/2007	D. PARHAM
A	ECN 99999: MADE ALL DIMENSIONS REFERENCE AND NEW FORMAT, ROHS	12/14/09	D. FRISIELLO



"P1"
MALE, 9 PIN
D-SUB CONNECTOR

"P2"
MALE, 25 PIN
D-SUB CONNECTOR



NOTE

MATERIAL
 HOUSING: THERMOPLASTIC
 CONNECTOR SHELL: COLD ROLLED STEEL
 INSULATOR: THERMOPLASTIC. UL94V-0 RATED
 CONTACTS: COPPER ALLOY
 HARDWARE: STEEL OR BRASS

FINISH:
 CONTACTS: GOLD PLATED
 SHELL: TIN FINISH
 HARDWARE: NICKEL PLATED

MISCELLANEOUS:
 KIT CONTAINS:
 1- THERMOPLASTIC HOUSING
 1- 25 PIN, MALE D-SUB CONNECTOR (SOLDER CUP)
 1- 9 PIN, MALE D-SUB CONNECTOR (SOLDER CUP)
 4- 4-40UNC-2A SCREWS
 4- 4-40UNC-2B HEX STANDOFFS

RoHS Compliant ✓

UNLESS OTHERWISE SPECIFIED, DIMENSIONS ARE IN INCHES [mm]	APPROVALS	DATE	45 BEECHWOOD DRIVE NORTH ANDOVER, MA 01845		
	DRAWN BY D. PARHAM	11/05/2007			
	DIMENSIONAL TOLERANCES: .X = ±.1 .XX = ±.01 .XXX = ±.005	CHECKED BY D. FRISIELLO	11/05/2007	CATEGORY DATA CABLING	
	ANGULAR TOLERANCES: ALL = ± 1°	APPROVED BY J. KIEZULAS	11/05/2007	PRODUCT DESCRIPTION ADAPTOR KIT	
PROJECTION 	COLOR VARIATIONS MAY OCCUR	SIZE A	FSCM NO. 43321	DWG. NO. DIY259MM	REV. A
REF	SCALE: NONE	CAD FILE: DIY259MM.SLDRW	SHEET 1 OF 1		