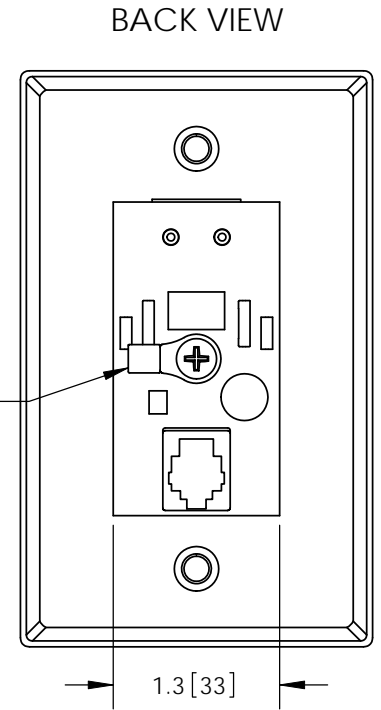
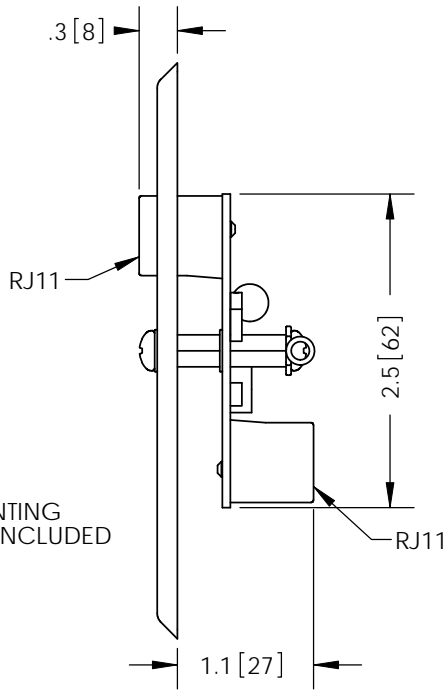
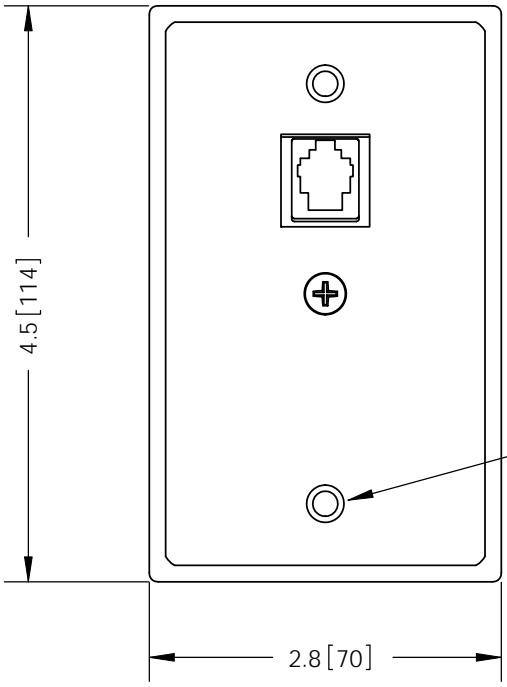
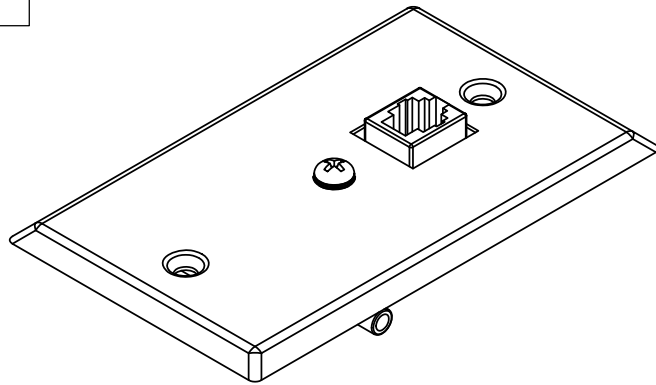


THE INFORMATION CONTAINED IN THIS DRAWING IS THE SOLE PROPERTY OF L-COM, INC. ANY REPRODUCTION IN PART OR WHOLE WITHOUT THE WRITTEN PERMISSION OF L-COM, INC. IS PROHIBITED.

REVISIONS			
REV	DESCRIPTION	DATE	APPROVED
A	INITIAL RELEASE	10/18/11	B.PUCHASKI



(2) MOUNTING SCREWS INCLUDED

GROUND LUG

RoHS Compliant ✓

NOTES:
 PACKAGING:
 COMPONENT SHALL BE PACKAGED IN ACCORDANCE WITH L-COM SPEC PKG-00012
 - ALL DIMENSION FOR REFERENCE -

UNLESS OTHERWISE SPECIFIED, DIMENSIONS ARE IN INCHES [mm] DIMENSIONAL TOLERANCES: .X = ±.1 .XX = ±.01 .XXX = ±.005 ANGULAR TOLERANCES: ALL = ± 1° PROJECTION	APPROVALS B.PUCHASKI CHECKED BY K.BURGNER APPROVED BY K.BURGNER	DATE 10/18/11 10/18/11 10/18/11	45 BEECHWOOD DRIVE NORTH ANDOVER, MA 01845	
	CATEGORY LIGHTNING PROTECTORS			PRODUCT DESCRIPTION WALL MOUNT DSL / TEL SURGE PROTECTOR RJ11/RJ11
	CONFIGURATION DETAILS OF UNDIMENSIONED FEATURES MAY VARY COLOR VARIATIONS MAY OCCUR		SCALE: NONE CAD FILE: WPD TJ.SLDDRW	
	SIZE A		FSCM NO. 43321	DWG. NO. WPDTJ