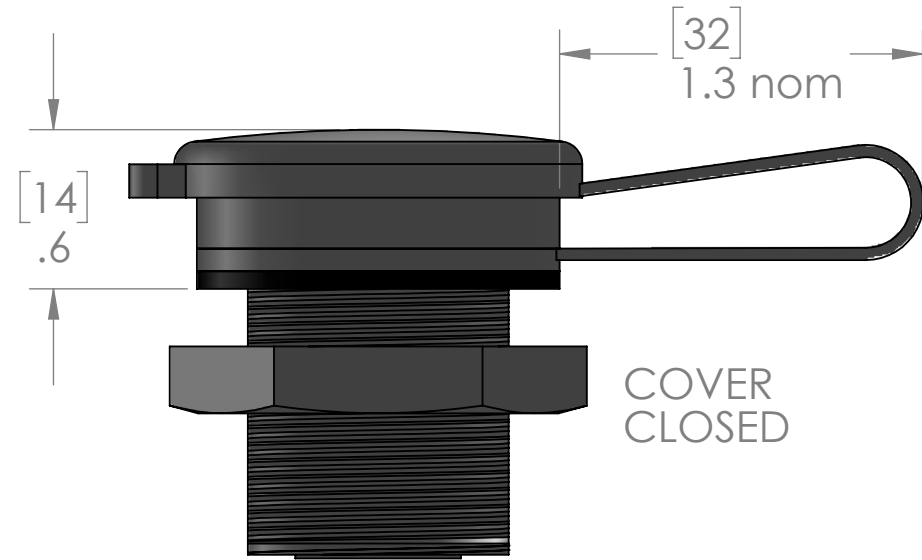
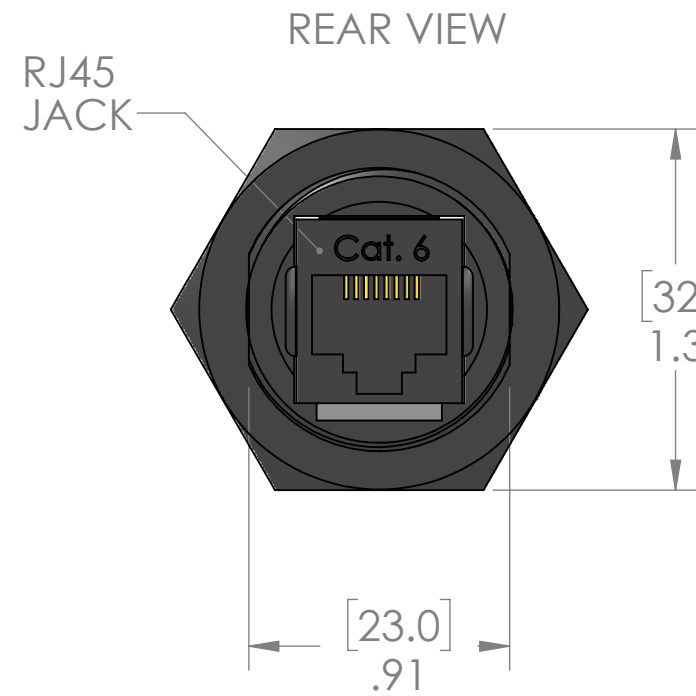


D



COVER  
CLOSED

C

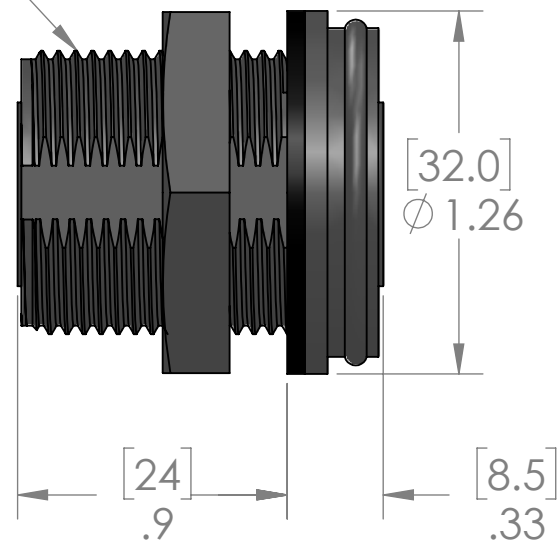


REAR VIEW

RJ45  
JACK

Cat. 6

M25x1.5



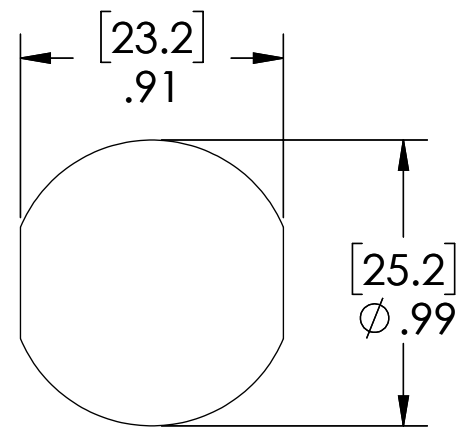
RJ45  
JACK

Cat. 6

[36.0]  
Ø 1.42

B

A



SUGGESTED CUTOUT

<b>MATERIALS:</b>	
BODY & CAP:	BLACK POLYPROPYLENE
GASKET:	TPE
CONNECTOR:	CAT 6 RJ45 PASSTHROUGH
LOCKNUT:	POLYAMIDE
<b>CERTIFICATIONS:</b>	
SEAL:	UL TYPE 12
	IP65 & 69
US:	UL LISTED
CANADA:	c-UL LISTED

**PROPRIETARY AND CONFIDENTIAL**  
THE INFORMATION CONTAINED IN THIS DRAWING IS THE SOLE PROPERTY OF MENCOM CORPORATION. ANY REPRODUCTION IN PART OR AS A WHOLE WITHOUT THE WRITTEN PERMISSION OF MENCOM CORPORATION IS PROHIBITED.

UNLESS OTHERWISE SPECIFIED: DIMENSIONS ARE IN INCHES AND [MM]	DRAWN BY	ADM
	DRAWN DATE	08/22/2018
	CHECKED BY	DCG
	CHECK DATE	08/22/2018
MATERIAL	COMMENTS:	
FINISH		
DO NOT SCALE DRAWING		

MENCOM CORPORATION		
TITLE: RJ45 PASSTHROUGH		
SIZE <b>B</b>	DWG. NO. RJ45-M25-PA	REV <b>B</b>
SCALE: 3:2	WEIGHT:	SHEET 1 OF 1