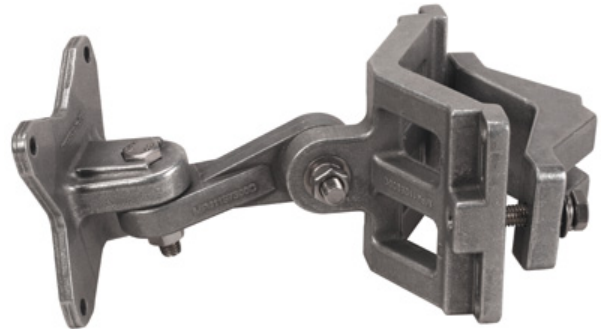


SENCITY Planar Antenna Downtilt Bracket 9091.99.0201

Description

Down- and sidetilt bracket for SPOT-M antennas



Technical Data

Mechanical Data

Weight	0.86 kg
Dimensions (mm)	115 x 115 x 190 (Height x Width x Depth)
Mast diameter (mm)	25 - 76
Material	Aluminium

Azimuth resolution step: 2° on wall

Tilt resolution step 2° on pole and wall

Payload: 20 kg max.

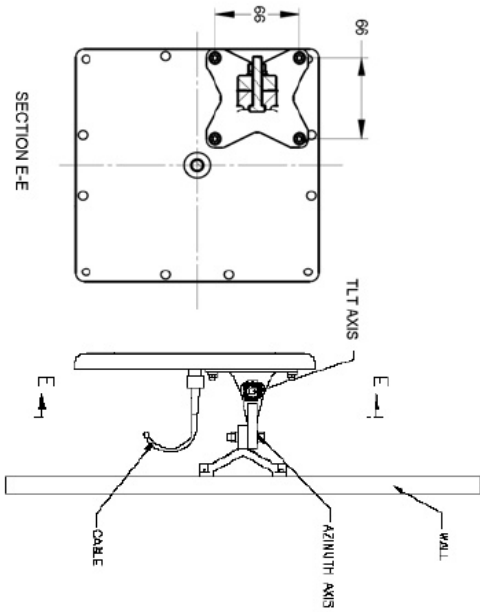
Environmental Data

Operation temperature (°C)	-55 to 85
Storage temperature (°C)	-55 to 85
Transport temperature (°C)	-55 to 85
2011/65/EU (RoHS - including 2015/863 and 2017/2102)	compliant
WEEE 2012/19/EU	no special marking needed

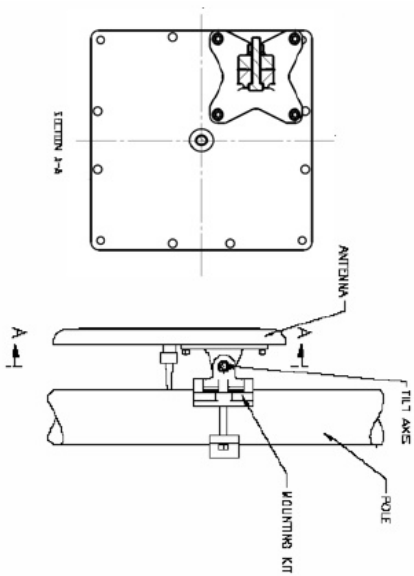
Related Documents

Mounting instruction	DOC-0000225623
Painting instruction	DOC-0000256180
Security instruction	DOC-0000278984
3D-model (Step)	DOC-0000721111
General drawing	DOC-0000721112

SENCITY Planar Antenna Downtilt Bracket 9091.99.0201



MOUNTING KIT FOR WALL



MOUNTING KIT FOR POLE