

STFE ELITE SERIES

The STFE Elite DIN Rail Mount Series combines SolaHD Tracking technology with UL Listed surge protection to protect against the full spectrum of voltage transients and surges. It continuously tracks the input AC power line responding instantly into action upon detecting extraneous high-frequency noise and high-voltage transients caused by everyday events such as turning on machinery, motors or equipment.

APPLICATIONS


- Control Panels
- Factory Automation Installations
- Point of Use Industrial Equipment
- Programmable Logic Controllers
- Dedicated Industrial and Machine Tools Equipment

FEATURES

- Series connected DIN Rail mounted filter
- Durable metal mount clip
- Transient protection in all modes (L-N, L-G, and N-G)
- Single phase applications up to 20 Amps
- Operating temperature from -40 °C to +50 °C (-40 °F to +122 °F)
- Screw terminal connections
 - Reliable and convenient screw clamp connections
 - Accept 10-16 AWG wire
 - Meet IP20 specifications for ingress protection

- LED status indication
- Form C contact for remote monitoring
- Five year limited warranty

CERTIFICATIONS AND COMPLIANCES

-  UL Recognized Component
 - UL 1449, Type 4 locations
 - UL 1283
 - CSA C22.2 No. 8
- RoHS Compliant

RELATED PRODUCTS

- Power Conditioners
- Uninterruptible Power System
- Power Supplies

SELECTION TABLE

Catalog Number	Amps	Input Voltage	
STFE03010N	3.0	120 V	Single Phase, 2 Wire + Ground
STFE05010N	5.0	120 V	Single Phase, 2 Wire + Ground
STFE10010N	10.0	120 V	Single Phase, 2 Wire + Ground
STFE20010N	20.0	120 V	Single Phase, 2 Wire + Ground
STFE03024L	3.0	240 V	Single Phase, 2 Wire + Ground
STFE05024L	5.0	240 V	Single Phase, 2 Wire + Ground
STFE10024L	10.0	240 V	Single Phase, 2 Wire + Ground
STFE20024L	20.0	240 V	Single Phase, 2 Wire + Ground

SOLAHD

For product information:
www.solahd.com
 1.800.377.4384

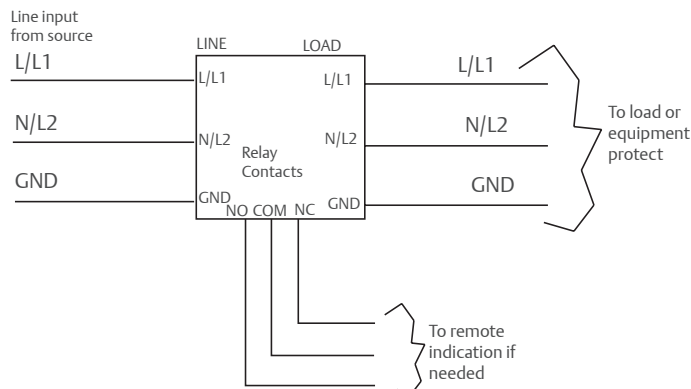


CONSIDER IT SOLVED™

SPECIFICATIONS

Description	STFEXXX10N	STFEXXX24L
Input Voltage	120 V (0-150 Vrms)	240 V (0-275 Vrms)
Line Frequency	47 - 63 Hz	
Response Time	< .5 nanoseconds normal mode, <5 nanoseconds common mode	
Enclosure	Fully Enclosed Metal Housing	
Fusing	Reference Fuse/Circuit Breaker Chart	
Status Indication	Green LED "OK"/form C Contact/10 Amps @ 250 Vac or 5 Amps @ 100 Vdc	
Connection/Mounting Type	DIN Rail Mount	
Operating Temperature	-40 °C to +50 °C (-40 °F to +122 °F) at full load Derate Linearly to 60% at +70 °C (+158 °F)	
Weight - lbs (kg)	1.7 (0.70)	
Dimensions - in (mm) (H x W x D)	4.88 x 2.56 x 4.56 (124.0 x 65.0 x 116.0)	
Operating Humidity	0% to 95% Non-condensing	
Peak Surge Current Capability	Per Phase	19,500 Amps
	Line to Neutral	13,000 Amps
	Line to Ground	6,500 Amps
	Neutral to Ground	6,500 Amps
Load Surge Current Rating	10 milliseconds	5 x Nominal
	1 second	3 x Nominal
	10 seconds	2 x Nominal
Frequency Response		
Normal Mode (Forward-Reverse)	100 kHz to 50 MHz	-90 dB Max
Common Mode (Forward-Reverse)	5 MHz to 50 MHz	-60 dB Max
Transient Reduction (IEEE C62.41)	Typical Category A Ringwave (6 kV, 200 A, 100 kHz)	< 60 V Peak
	Typical Category B Ringwave (6 kV, 500 A, 100 kHz)	<100 V Peak UL 1449
Warranty	5 year limited warranty	

CONNECTION DIAGRAM



SOLAHD

United States: 1.800.377.4384 | Asia/Pacific: + 65.6891.7600 | Australia: + 61.3.9721.0387
 Brazil: São Paulo/SP + 55.11.2122.5777 | Brazil: Camaçari/BA + 55.71.3496.4427 | Canada: + 1.888.765.2226
 China: + 86.21.3418.3888 | Europe: + 33.3.2254.1390 | Mexico/Latin America: + 52.55.5809.5049
 Middle East/Africa/India: + 971.4.811.8100
www.solahd.com