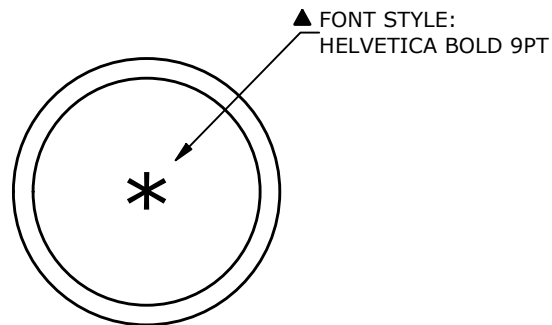
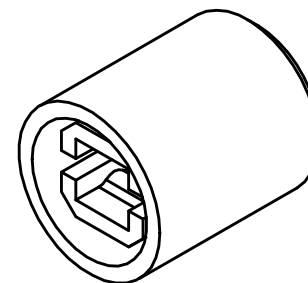


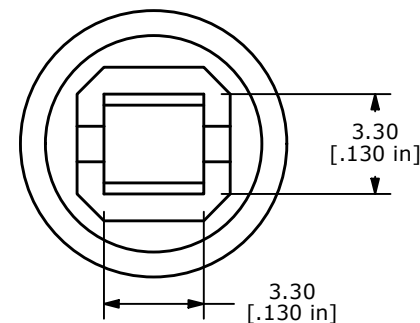
SECTION A-A
SCALE 4 : 1



GRAPHIC VIEW



SECTION B-B
SCALE 4 : 1



NOTES:

1. ALL DIMENSIONS IN MM[INCH]
2. GENERAL TOLERANCE: X.XX=± 0.15
- ▲3. MATERIAL: ABS UL94HB
- ▲4. COLOR: BLACK, PANTONE 3C
5. ▲ DENOTES CRITICAL PARAMETER
- ▲6. GRAPHIC COLOR: PANTONE 538C
7. 2002/95/EC (ROHS) COMPLIANT

OBSOLETE
December 2022
ECO-101477

| REV | PCR NO | DESCRIPTION | DATE | BY |
|-----|--------|------------------------------|---------|----|
| B | 17594 | CHANGED DETENT RIB PLACEMENT | 8/27/07 | BF |
| A | 15962 | NEW RELEASE | 4/17/06 | CT |

| | | |
|--------------------|-------------------|------------------------|
| | | OBJECT ID 000023545 |
| TITLE TAGBLK "***" | | |
| SCALE 4:1 | DATE 8/27/2007 | DR BF |
| DWG T041638 | | REV B |