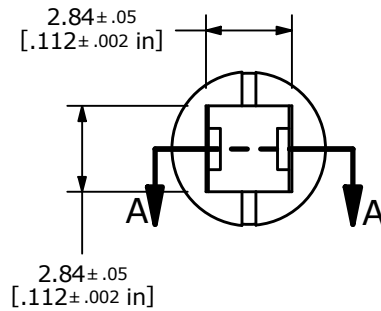



SECTION A-A



NOTES:

1. ALL DIMENSIONS IN MM [INCH]
2. GENERAL TOLERANCE: X.XX±0.15
- ▲ 3. MATERIAL: ABS, UL94V0
- ▲ 4. COLOR: RED, PANTONE 201C
5. ▲ DENOTES CRITICAL PARAMETER.

REV	ECO NO	DESCRIPTION	DATE	BY					OBJECT ID
E	ECO-100958	UPDATED TO CURRENT STANDARDS	05/06/22	JS	TITLE 1RRED				000020946
<small>THE INFORMATION CONTAINED IN THIS DOCUMENT IS PROPRIETARY TO E-SWITCH AND IS NOT TO BE COPIED OR TRANSFERRED</small>					SCALE	DATE	DR	DWG	REV
					4:1	8/24/2005	PH	Q800302	E