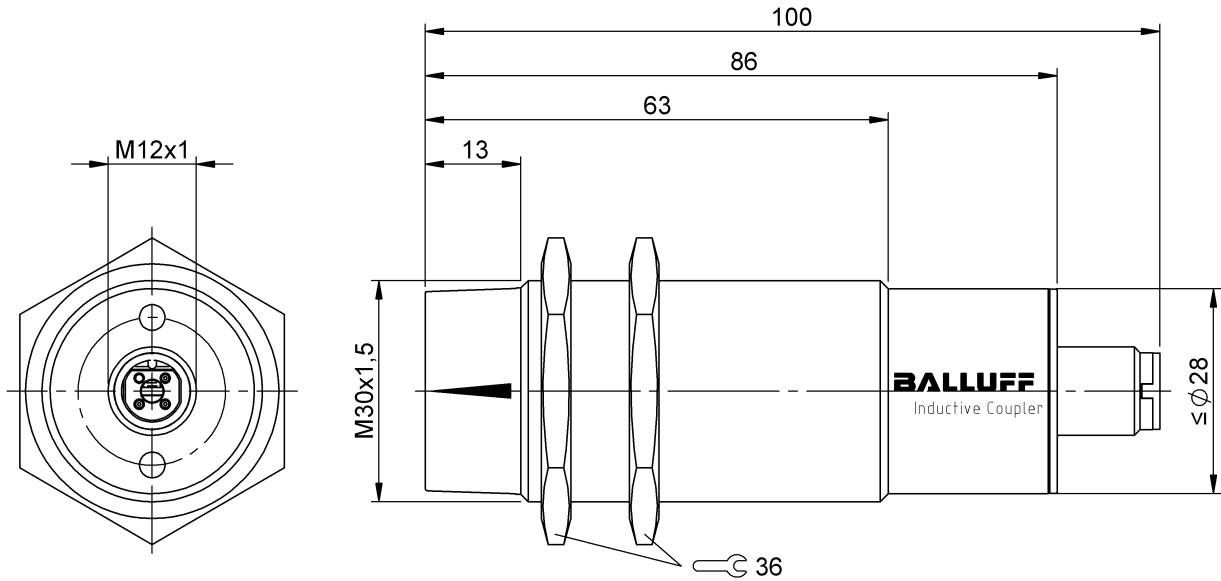


Inductive Couplers
BIC 1I0-I2A50-M30MI3-SM4A4A
 Order Code: BIC000C

BALLUFF



Basic features

Approval/Conformity	CE UKCA WEEE
Component	Base
Function	Uni IO-Link

Display/Operation

Active transmission indicator	yes
InZone indicator	yes
Power indicator	yes

Electrical connection

Connection	M12x1-Male, 4-pin
Short-circuit protection	yes

Electrical data

Rated operating current I_e	1000 mA
Rated operating voltage U_e DC	24 V
Ripple max. (% of U_e)	5 %
Transmission power	12 W
Type of master port	A

Environmental conditions

Ambient temperature	-5...55 °C
IP rating	IP67
Interference immunity	EN 61000-4-2/3/4/5/6
Storage temperature	-25...75 °C

Interface

Cycle time min.	3 ms
IO-Link version	1
Process data IN	4 bytes
Process data OUT	0 bytes
Process data cycle min.	12 ms
SIO mode	no
Transfer rate	COM2 (38.4 kBaud)

Material

Housing material	Brass, coated
Housing material, surface protection	coated
Material sensing surface	PC

Mechanical data

Frame type	1 (max. 3 bytes) 2.1 2.2
Installation	non-flush
Offset	±4 mm
Size	M30x1.5
Tightening torque max.	70 Nm
Tightening torque pigtail	0.6 Nm

Range/Distance

Range	0...5 mm
Transmission distance	0...5 mm

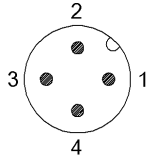
Inductive Couplers
BIC 1I0-I2A50-M30MI3-SM4A4A
Order Code: BIC000C

BALLUFF

Remarks

Enclosure rating per IEC 60529, only in screwed state with the associated mating piece.
Use the BIC 1I0-I2A50-M30MI3-SM4A4A base unit only with the BIC 2I0-I2A50-M30MI3-SM4A5A Remote!

Connector Drawings



IO-Link

PIN 1: +24V

PIN 2: not used

PIN 3: GND, reference potential

PIN 4: IO-Link