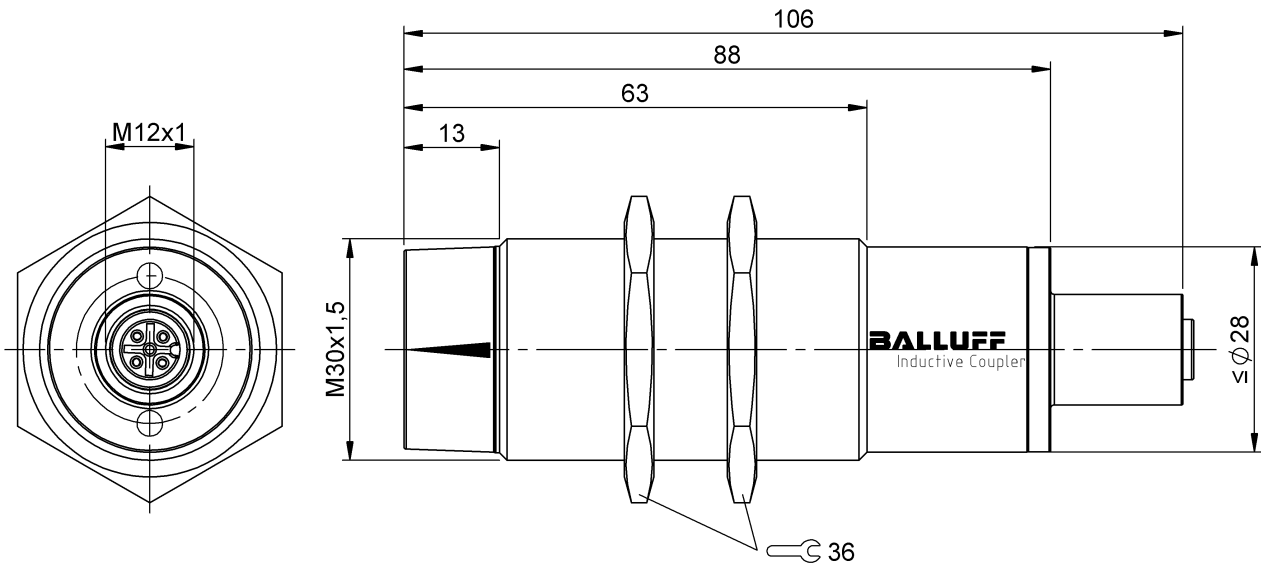


Inductive Couplers
BIC 210-I2A50-M30MI3-SM4A5A
 Order Code: BIC000E

BALLUFF



Basic features

Approval/Conformity	CE UKCA WEEE
Component	Remote
Function	Uni IO-Link

Interface

Cycle time min.	3 ms
IO-Link version	1
SIO mode	no
Transfer rate	COM2 (38.4 kBaud)

Display/Operation

Function indicator	yes
--------------------	-----

Material

Housing material	Brass, coated
Housing material, surface protection	coated
Material sensing surface	PC

Electrical connection

Connection	M12x1-Male, 5-pin
Short-circuit protection	yes

Mechanical data

Frame type	1 (max. 3 bytes) 2.1 2.2
Installation	non-flush
Offset	±4 mm
Size	M30x1.5
Tightening torque max.	70 Nm
Tightening torque pigtail	0.6 Nm

Electrical data

Output voltage	24 VDC
Rated output current	500 mA
Ripple Ua max.	100 mV
Transmission power	12 W
Type of master port	A

Environmental conditions

Ambient temperature	-5...55 °C
IP rating	IP67
Interference immunity	EN 61000-4-2/3/4/5/6
Storage temperature	-25...75 °C

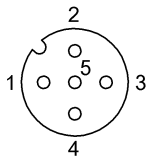
Range/Distance

Range	0...5 mm
Transmission distance	0...5 mm

Remarks

Enclosure rating per IEC 60529, only in screwed state with the associated mating piece.
 Use the BIC 210-I2A50-M30MI3-SM4A5A Remote only with the BIC 110-I2A50-M30MI3-SM4A4A base unit!

Connector Drawings



IO-Link

PIN 1: +24V

PIN 3: 0V

PIN 4: IO-Link