

Battery module - SF-ASD 16/ACCU 2,0 AH



1314530

<https://www.phoenixcontact.com/us/products/1314530>

Please be informed that the data shown in this PDF document is generated from our Online Catalog. Please find the complete data in the user documentation. Our General Terms of Use for Downloads are valid.

Replacement battery, 2.0 Ah, lithium-ion, 3.6 V, for SF-ASD 16 cordless screwdriver



Your advantages

- 3.6 V
- Reverse polarity protected

Commercial Data

| | |
|--------------------------------------|---------------|
| Item number | 1314530 |
| Packing unit | 1 pc |
| Minimum order quantity | 1 pc |
| Sales Key | B26 |
| Product Key | BH324Z |
| GTIN | 4063151579005 |
| Weight per Piece (including packing) | 111.3 g |
| Weight per Piece (excluding packing) | 111.3 g |
| Customs tariff number | 85076000 |
| Country of origin | TW |

Battery module - SF-ASD 16/ACCU 2,0 AH



1314530

<https://www.phoenixcontact.com/us/products/1314530>

Technical Data

Notes

| | |
|---------|---------------------|
| General | packed in cardboard |
|---------|---------------------|

Product properties

| | |
|--------------------------|----------------|
| Product type | Battery module |
| Battery-operated voltage | 3.6 V |
| Battery charging | 60 min. |

Insulation characteristics

| | |
|------------------|----|
| Protection class | II |
|------------------|----|

Electrical properties

| | |
|-----------------------|----------|
| Power consumption | 7.2 W |
| Nominal voltage U_N | 3.6 V DC |
| Nominal voltage U_N | 3.6 V DC |

Battery

| | |
|--------------------------|----------|
| Battery charging | 60 min. |
| Battery-operated voltage | 3.6 V DC |
| Battery capacity | 2.00 Ah |

Dimensions

| | |
|----------|-------|
| Length | 82 mm |
| Diameter | 43 mm |

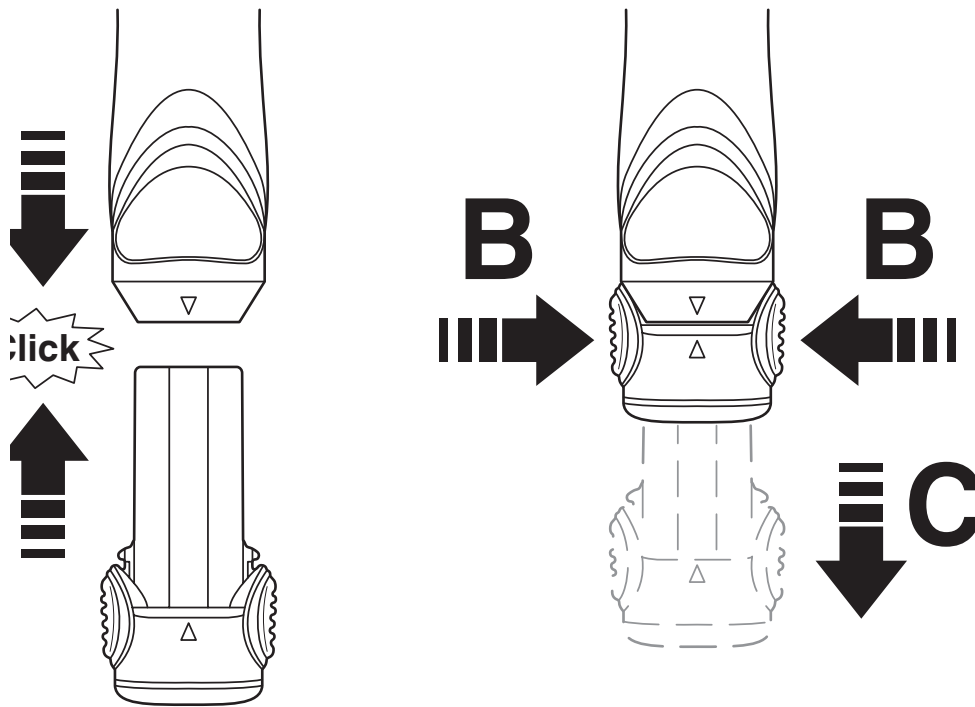
Environmental and real-life conditions

Ambient conditions

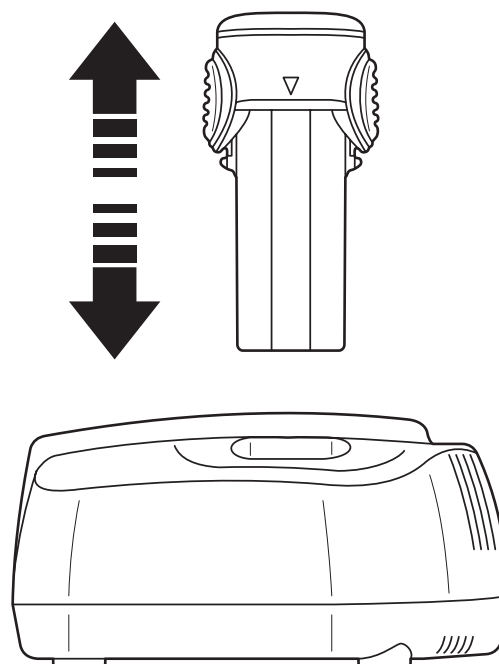
| | |
|---|------------------|
| Ambient temperature (operation) | 5 °C ... 40 °C |
| Ambient temperature (storage/transport) | -25 °C ... 60 °C |
| Permissible humidity (operation) | 95 % (<) |

Drawings

Schematic diagram



Schematic diagram



Battery module - SF-ASD 16/ACCU 2,0 AH



1314530

<https://www.phoenixcontact.com/us/products/1314530>

Approvals



EAC

Approval ID: RU C-DE.AI30.B.01750

Battery module - SF-ASD 16/ACCU 2,0 AH



1314530

<https://www.phoenixcontact.com/us/products/1314530>

Classifications

ECLASS

ECLASS-11.0

21052902

ETIM

ETIM 8.0

EC001199

UNSPSC

UNSPSC 21.0

26111700

Battery module - SF-ASD 16/ACCU 2,0 AH



1314530

<https://www.phoenixcontact.com/us/products/1314530>

Environmental Product Compliance

| | |
|------------|--|
| REACH SVHC | Lead 7439-92-1 |
| China RoHS | Environmentally Friendly Use Period = 5 |
| | For information on hazardous substances, refer to the manufacturer's declaration available under "Downloads" |

Battery module - SF-ASD 16/ACCU 2,0 AH



1314530

<https://www.phoenixcontact.com/us/products/1314530>

Accessories

Battery-powered screwdriver

Battery-powered screwdriver - SF-ASD 16 - 1200294

<https://www.phoenixcontact.com/us/products/1200294>



Cordless screwdriver, incl. battery, two-speed gearbox, forward/reverse running and 16-stage clutch up to 450 rpm, hexagonal quick connection.

Battery-powered screwdriver set

Battery-powered screwdriver set - SF-ASD 16 SET - 1200295

<https://www.phoenixcontact.com/us/products/1200295>



Cordless screwdriver in case, incl. battery, charging device 100 ... 240 V, 2 bits, two-speed gearbox, forward/reverse running and 16-stage clutch up to 450 rpm, hexagonal fast connection.

Battery module - SF-ASD 16/ACCU 2,0 AH



1314530

<https://www.phoenixcontact.com/us/products/1314530>

Charger

Charger - SF-ASD 16/CHARGER - 1200296

<https://www.phoenixcontact.com/us/products/1200296>

Charger, for 100 ... 240 V mains voltage, recognition of battery and parameter check, rapid charging, short-circuit resistant, polarized, operating mode display



Phoenix Contact 2022 © - all rights reserved

<https://www.phoenixcontact.com>

Phoenix Contact USA
586 Fulling Mill Road
Middletown, PA 17057, United States
(+717) 944-1300
info@phoenixcon.com