

## SENCITY® Antenna down- and sidetilt Bracket 9091.99.0274

### Description

Down- and sidetilt bracket accessory for SENCITY planar antennas  
For outdoor and indoor applications

Two hose clamps for pole mount option included



### Technical Data

#### Mechanical Data

Weight	0.1 kg
Dimensions (mm)	55 x 42 x 40 (Height x Width x Depth)
Mast diameter (mm)	30 - 155
Material	Stainless Steel

Max. tractive force 20 N in x/y/z direction

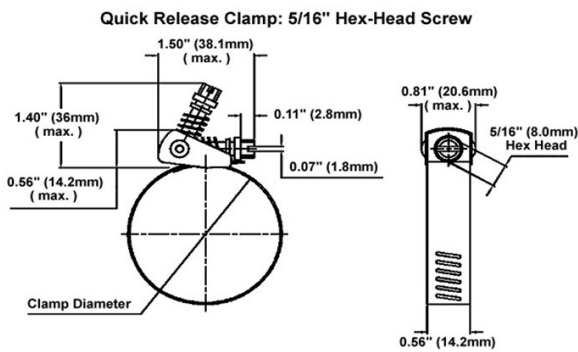
Mounting material 2 screws M4 L=8mm and 2 Quick Release hose clamps for pole-diameter 30 to 155 mm

#### Environmental Data

Operation temperature (°C)	-40 to 85
2011/65/EU (RoHS - including 2015/863 and 2017/2102)	compliant

#### Related Documents

Mounting instruction	DOC-0000834560
Painting instruction	DOC-0000256180
Security instruction	DOC-0000278984
Outline drawing1	DOU-00375681



Quick hose clamps		Clamping Range			
Description	Item number	Min. Dia (in.)	Max. Dia (in.)	Min. Dia (mm.)	Max. Dia (mm.)
HOSE_CLAMP_30x155_01_02 (Set)	84076411	1 3/16	6 1/8	30	155