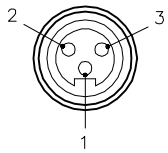


FEMALE END VIEW

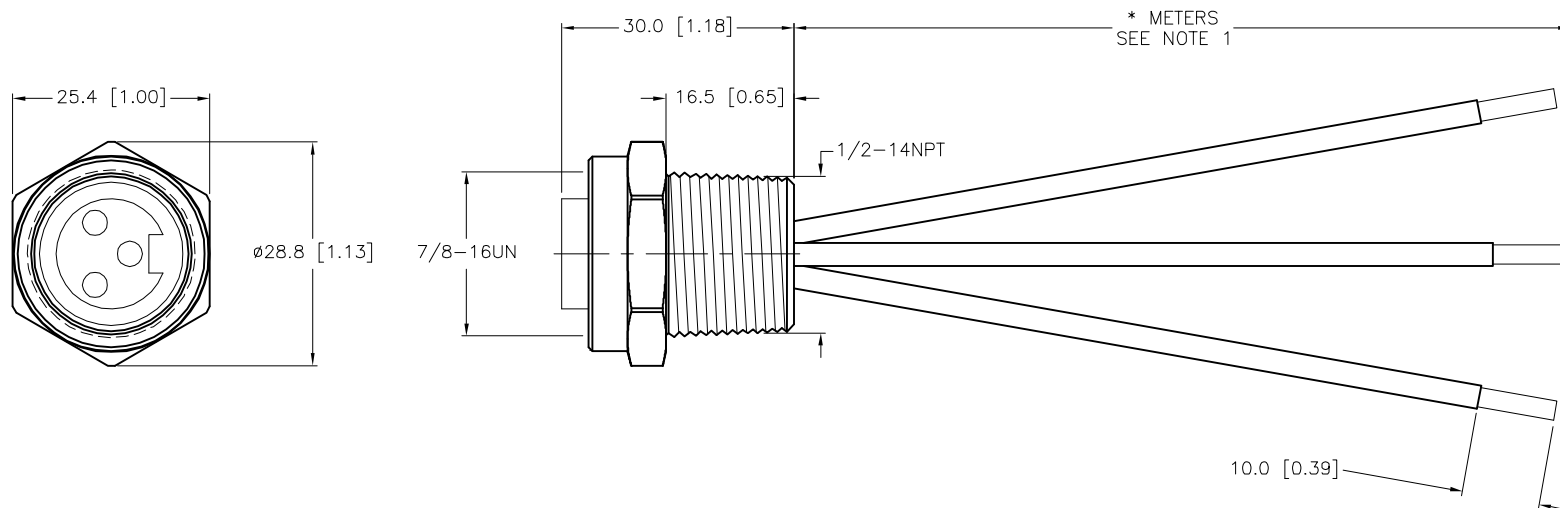


- 1 = GREEN/YELLOW
- 2 = BLACK
- 3 = WHITE



SPECIFICATIONS

CONTACT CARRIER MATERIAL/COLOR	PVC
CONTACT MATERIAL/PLATING	BRASS/GOLD
HOUSING/LOCKNUT MATERIAL/PLATING	BRASS/NICKEL
RATED CURRENT [A]	21.0 A
RATED VOLTAGE [V]	600 VAC
CONDUCTOR INSULATION MATERIAL	PVC
NUMBER OF CONDUCTORS [AWG]	3x14 AWG
TEMPERATURE RANGE	-40°C to +105°C (-40°F to +221°F)
PROTECTION CLASS	NEMA 1,3,4,6P,12 & IECIP67, IP68,IP69,IP69K
APPROVALS AND CERTIFICATIONS	UL 2237, CE



CABLE LENGTH	TOLERANCE*
ALL LENGTHS	+ 4% (OR 50mm) OF LENGTH - 0% (OR 0mm) OF LENGTH WHICHEVER IS GREATER
STRIP LENGTH	TOLERANCE*
0-7mm	±0.5mm
8-29mm	±1.0mm
30-49mm	±2.0mm
50-69mm	±3.0mm
70-100mm	±4.0mm
OVER 100mm	±5.0mm
* UNLESS OTHERWISE SPECIFIED	

**CAUTION:**  
**RISK OF ELECTRICAL SHOCK**  
 DO NOT DISCONNECT UNDER LOAD

SOURCE DRAWING - FOR REFERENCE ONLY

NOTES:

1. "\*" INDICATES LEAD LENGTH IN METERS. CONTACT TURCK TO ORDER SPECIFIC LENGTHS.

RELATED DOCUMENTS		3RD ANGLE PROJECTION		THIS DRAWING IS CONFIDENTIAL AND THE PROPERTY OF TURCK INC. USE OF THIS DOCUMENT WITHOUT WRITTEN PERMISSION IS PROHIBITED.		3000 CAMPUS DRIVE MINNEAPOLIS, MN 55441 1-800-544-7769 (763) 553-7300 (763) 553-0708 fax www.turck.us	
1.			DRFT	RDS	DATE 02/09/09	DESCRIPTION RKF 34-*M/NPT	
2.			APVD		SCALE 1=1.0		
3.		ALL DIMENSIONS DISPLAYED ON THIS DRAWING ARE FOR REFERENCE ONLY	UNIT OF MEASUREMENT			IDENTIFICATION NO.	
4.			MILLIMETER [ INCH ]				
MATERIAL		SEE SPECIFICATIONS		CONTACT TURCK FOR MORE INFORMATION		REV L	
FINISH		SEE SPECIFICATIONS		DO NOT SCALE THIS DRAWING		FILE: 777023411	
L	UPDATE PROTECTION CLASS	CBM	04/13/21	76628	SHEET 1 OF 1		
REV	DESCRIPTION	BY	DATE	ECO NO.			