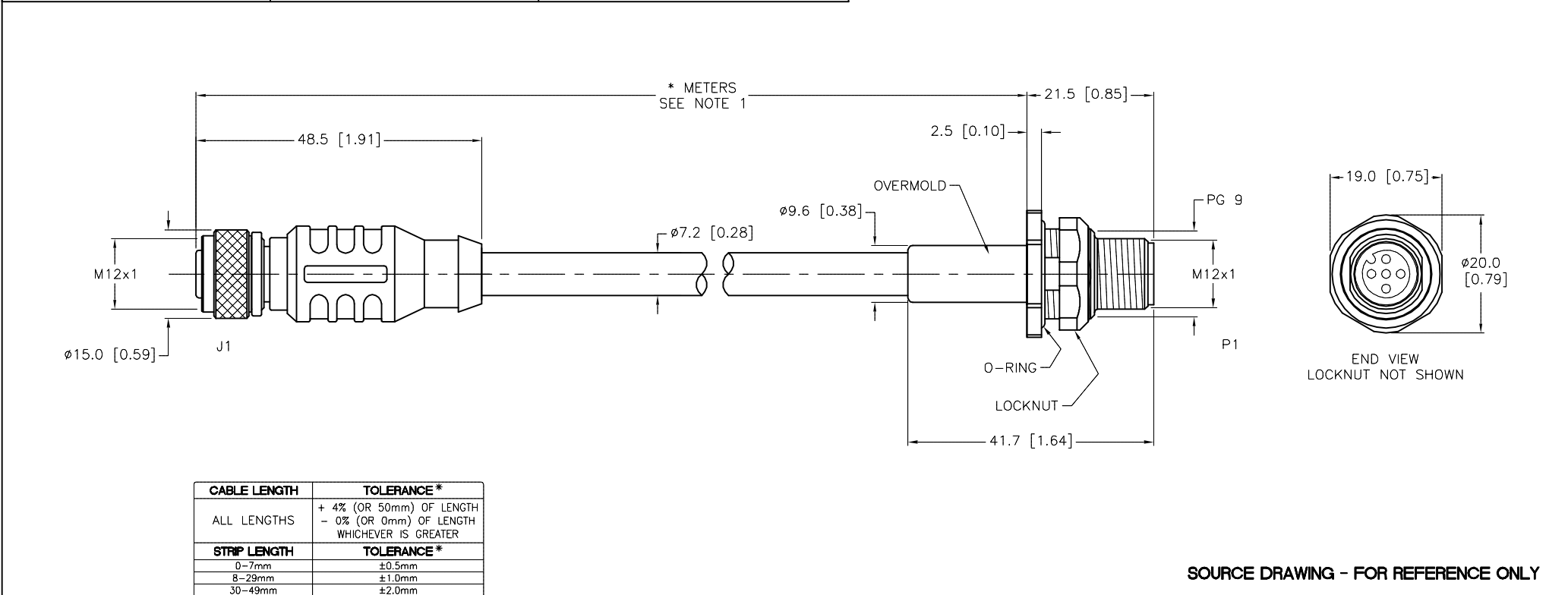


| SPECIFICATIONS                         |                                  |
|--|----------------------------------|
| CONTACT CARRIER MATERIAL/COLOR         | TPU/BLUE-GRAY                    |
| MOLDED HEAD MATERIAL/COLOR             | TPU/BLUE-GRAY                    |
| CONTACT MATERIAL/PLATING               | BRASS/GOLD                       |
| COUPLING NUT MATERIAL/PLATING (J1)     | BRASS/NICKEL                     |
| HOUSING, LOCKNUT MATERIAL/PLATING (P1) | BRASS/NICKEL                     |
| RATED CURRENT [V]                      | 4.0 A                            |
| RATED VOLTAGE [V]                      | 250 V                            |
| OUTER JACKET MATERIAL/COLOR            | PVC/GRAY                         |
| CONDUCTOR INSULATION MATERIAL          | FOAMED HDPE (DATA), PVC (POWER)  |
| NUMBER OF CONDUCTORS [AWG]             | 4x22 AWG, 22 AWG DRAIN           |
| SHIELDING                              | FOIL (PAIRS), FOIL (OVERALL)     |
| TEMPERATURE RATING                     | -40°C to +80°C (-40°F to +176°F) |
| PROTECTION CLASS                       | MEETS NEMA 1,3,4,6P AND IEC IP68 |
| MAX. PANEL THICKNESS                   | 3.0 [0.12]                       |



| CABLE LENGTH | TOLERANCE*  |
|--------------|---|
| ALL LENGTHS  | + 4% (OR 50mm) OF LENGTH<br>- 0% (OR 0mm) OF LENGTH<br>WHICHEVER IS GREATER |
| STRIP LENGTH | TOLERANCE*  |
| 0-7mm        | ±0.5mm  |
| 8-29mm       | ±1.0mm  |
| 30-49mm      | ±2.0mm  |
| 50-69mm      | ±3.0mm  |
| 70-100mm     | ±4.0mm  |
| OVER 100mm   | ±5.0mm  |

\* UNLESS OTHERWISE SPECIFIED

SOURCE DRAWING - FOR REFERENCE ONLY

NOTES:  
1. "\*" INDICATES CABLE LENGTH IN METERS. CONTACT TURCK TO ORDER SPECIFIC LENGTHS.

|                           |   |  |     |  |          |
|---------------------------|---|--|-----|--|----------|
| RELATED DOCUMENTS         | 3RD ANGLE PROJECTION  | THIS DRAWING IS CONFIDENTIAL AND THE PROPERTY OF TURCK INC. USE OF THIS DOCUMENT WITHOUT WRITTEN PERMISSION IS PROHIBITED. |     | 3000 CAMPUS DRIVE<br>MINNEAPOLIS, MN 55441<br>1-800-544-7769<br>(763) 553-7300<br>(763) 553-0708 fax<br>www.turck.us |          |
| 1.                        |   | DRFT   | CBM | DATE   | 04/06/99 |
| 2.                        |   | APVD   |     | SCALE  | 1=1.0    |
| 3.                        | ALL DIMENSIONS DISPLAYED ON THIS DRAWING ARE FOR REFERENCE ONLY | UNIT OF MEASUREMENT  |     | DESCRIPTION  |          |
| 4.                        |   | MILLIMETER [ INCH ]  |     | RKC FSFD 572-*M  |          |
| MATERIAL                  | CONTACT TURCK FOR MORE INFORMATION                              | IDENTIFICATION NO.   |     | REV  |          |
| FINISH                    |   |  |     | F  |          |
| DO NOT SCALE THIS DRAWING |   | FILE: 777005100  |     | SHEET 1 OF 1   |          |

|     |                |    |          |         |
|-----|----------------|----|----------|---------|
| F   | UPDATE HOUSING | NF | 01/19/16 | 53130   |
| REV | DESCRIPTION    | BY | DATE     | ECO NO. |