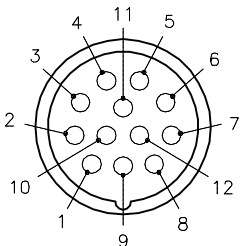
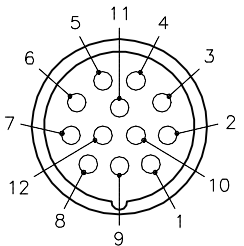
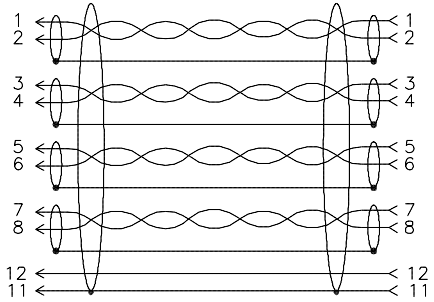
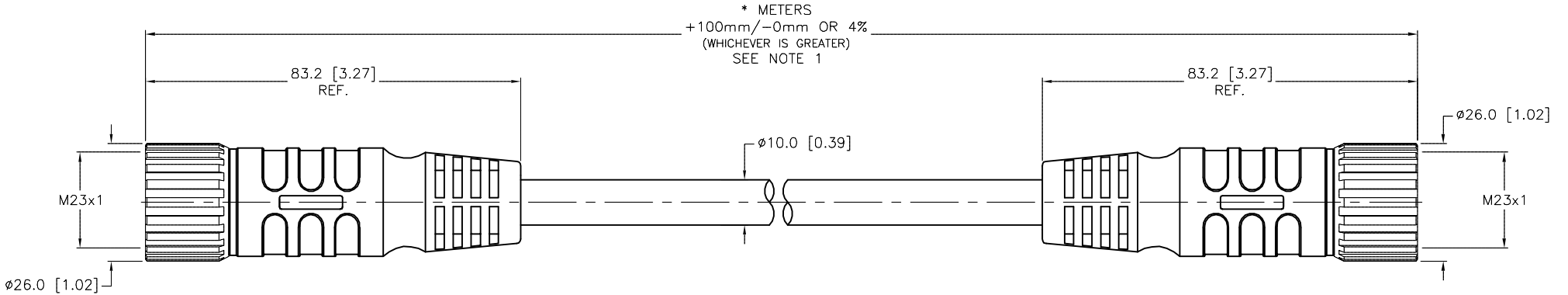
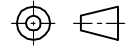


MALE END VIEW	FEMALE END VIEW	WIRING DIAGRAM	SPECIFICATIONS	
 1 = WHT/BLK 2 = BLK/WHT 3 = WHT/GRN 4 = GRN/WHT 5 = WHT/RED 6 = RED/WHT 7 = WHT/ORG 8 = ORG/WHT 9 = N/C 10 = N/C 11 = DRAIN 12 = GRN/YEL	 M23 connector		CONTACT CARRIER MATERIAL	NYLON or PBT
			MOLDED HEAD MATERIAL/COLOR	TPU/BLACK
			CONTACT MATERIAL/PLATING	BRASS/GOLD
			COUPLING NUT MATERIAL/FINISH	STAINLESS STEEL/PASSIVATED
			RATED CURRENT [A]	3.0 A
			RATED VOLTAGE [V]	250 V
			OUTER JACKET MATERIAL/COLOR	PVC/PLUM
			CONDUCTOR INSULATION MATERIAL	PVC
			CONDUCTORS	8x22 AWG, 1x18 AWG GROUND
			DRAIN/SHIELD	5x22 AWG DRAINS/ALUMINUM FOIL SHIELDED
			TEMPERATURE RATING	-40°C to +105°C (-40°F to +221°F)
			PROTECTION CLASS	IEC IP67
			CONDUCTOR ARRANGEMENT	4 SHIELDED TWISTED PAIR W/DRAIN, 1 GND, 1 DRAIN
			CABLE RATINGS	UL: ITC/PLTC/AWM, 105°C, 300 V CSA: CMG/AWM, 105°C, 300 V



SOURCE DRAWING - FOR REFERENCE ONLY

NOTES:
 1. "*" INDICATES CABLE LENGTH IN METERS. CONTACT TURCK TO ORDER SPECIFIC LENGTHS.

RELATED DOCUMENTS 1. 2. 3. 4.	3RD ANGLE PROJECTION 	THIS DRAWING IS CONFIDENTIAL AND THE PROPERTY OF TURCK INC. USE OF THIS DOCUMENT WITHOUT WRITTEN PERMISSION IS PROHIBITED.		3000 CAMPUS DRIVE MINNEAPOLIS, MN 55441 1-800-544-7769 (763) 553-7300 (763) 553-0708 fax www.turck.us	
		MATERIAL SEE SPECIFICATIONS	DRFT JBJ DATE 03/04/04	APVD SCALE NONE	DESCRIPTION P-CSMV CKMV 12-960-*
FINISH SEE SPECIFICATIONS	ALL DIMENSIONS DISPLAYED ON THIS DRAWING ARE FOR REFERENCE ONLY CONTACT TURCK FOR MORE INFORMATION	UNIT OF MEASUREMENT MILLIMETER [INCH]		IDENTIFICATION NO.	REV D
D UPDATED PROTECTION CLASS PER ECO TV 08/18/16 56182	BY DATE ECO NO.	DO NOT SCALE THIS DRAWING		FILE: 777003011	SHEET 1 OF 1