

# Compact PDB

Compact EP Power Distribution Blocks

## POWER DISTRIBUTION BLOCKS

## THE NEXT LEVEL OF SAFETY AND EASE OF INSTALLATION



Mersen's finger safe IP20-rated Power Distribution Blocks are part of the new Compact EP® line of products. The compact footprint allows space savings in panels, contributing to reduced panel size when compared to traditional power distribution blocks.

The Compact PDB is ideal for low voltage applications. Rated for UL-600V, ampere range of 85-250A, it can accommodate wire ranges AWG 18-3/0, catering to a wide range of low voltage applications. The PDBs can be DIN rail mounted, are dual wire rated, and are capable of DLO wire acceptance allowing ease of installation. Translucent covers allow visual inspection of wire termination points and wiring configurations.

### FEATURES/BENEFITS:

- **Finger-safe protection:** Fully insulated block ensures touch-safe isolation of live parts. Recessed termination screws and wire openings provide IP20 grade protection and qualify as "fingersafe" per IEC 529. Translucent cover allows for visual inspection of wire termination.
- **Compact modularity:** Smaller footprint allows panel builders to reduce space and build smaller or higher density panels.
- **Snap on DIN-rail mounting:** Integral DIN rail adaptors allow for quick and easy installations on 35mm DIN rail, yielding lower installed costs.
- **Captive termination screws:** Unique channel design ensures captive metric wire termination screws. Screws can never be lost.
- **Multiple wire ratings:** Blocks are multi wire rated - see multi wire rating table and can accommodate 18AWG wire for low voltage applications such as LED lighting. Can also accept DLO wires.

### RATINGS:

- **Volts:** 600VAC/DC
- **Amps:** 85 to 250A
- **SCCR:** 600V or less, 100kA with proper fuse; over 600V, 10kA

Contact Technical Services for instruction sheet.

### APPROVALS:

- UL recognized:  
UL file # E73571
- CSA certified: Class 6228



P  
D

CATALOG NUMBERS

Catalog Number	Ampere Rating	Wire Hole Range	Hex Driver Size	Line Side			Load Side					
				Wire Strip Back Length	Wire Size	Torque	Load Side Location	Wire Hole Range	Hex Driver Size	Wire Strip Back Length	Wire Size	Torque
CEP-FSPDB85	85	#4-#14	1/8"	.575"	#4	50 in-lbs	Top	{3}#8-#16	1/16"	.575"	#5-#10	8 in-lbs
					#6-#14	33 in-lbs					#12-#16	5 in-lbs
					-	-	Bottom	{2}#6-#14	1/8"		#6	50 in-lbs
CEP-FSPDB115	115	{2}#2-#14	5/32"	.575"	#2	140 in-lbs	Top	{4}#8-#16	1/16"	.425"	#8-#10	8 in-lbs
					#4	125 in-lbs					#12-#16	5 in-lbs
					#6-#14	50 in-lbs	Bottom	{3}#4-#14	1/8"		#4-#14	50 in-lbs
CEP-FSPDB160	160	{2}#2/0-#10	7/32"	.775"	#2/0-2	165 in-lbs	Top	{3}#6-#14	1/8"	.500"	#6	50 in-lbs
					#4-#14	50 in-lbs					#8-#14	35 in-lbs
					-	-	Bottom	{3}#4-#14	1/8"		#4-#14	50 in-lbs
CEP-FSPDB200	200	#4/0-#10	1/4"	.875"	#4/0	250 in-lbs	All	{8}#4-#14	1/8"	.625"	#4-#14	50 in-lbs
					#3/0-#1/0	220 in-lbs	-	-	-		-	
					#1-#10	150 in-lbs	-	-	-		-	
CEP-FSPDB250	250	{2}#250-#6	1/4"	1.00"	#250-#4/0	250 in-lbs	Top	{4}#6-#14	1/8"	.525"	#6	50 in-lbs
					#3/0-#2/0	200 in-lbs					#8-#14	35 in-lbs
					#1/0-#6	150 in-lbs	Middle	{3}#4-#14	1/8"		#4-#14	50 in-lbs
					-	-	Bottom	{3}#2-#14	5/32"		#2	140 in-lbs
										#4-#14	50 in-lbs	

MULTI-WIRE RATINGS TABLE

Catalog Number	Load Side Location	Wire Size	Torque
CEP-FSPDB85	Top	{4}#16-#18;	5 in-lbs
	Bottom	{2}#16-#18	35 in-lbs
CEP-FSPDB115	Top	{4}#16-#18;	5 in-lbs
	Bottom	{2}#16-#18	50 in-lbs
CEP-FSPDB160	Top	{4}#16-#18;	35 in-lbs
	Bottom	{2}#16-#18	50 in-lbs
CEP-FSPDB200	All	{4}#16-#18;	50 in-lbs
CEP-FSPDB250	Top	{4}#16-#18	35 in-lbs

Please note: These PDBs are made for copper, compact copper, DLO, and aluminum wires.

VOLTAGE RATING, MOUNTING TYPE, AND ENCLOSURE SIZE

Catalog Number	Voltage	Minimum Enclosure Size
CEP-FSPDB85	600V or less	12" x 6" x 8"
CEP-FSPDB115	600V or less	12" x 6" x 8"
CEP-FSPDB160	600V or less	12" x 20" x 8"
CEP-FSPDB200	600V or less	12" x 20" x 8"
CEP-FSPDB250	600V or less	24" x 20" x 10"

Enclosure size was based on UL testing. Suitability of smaller enclosure can be determined in end-use investigation.

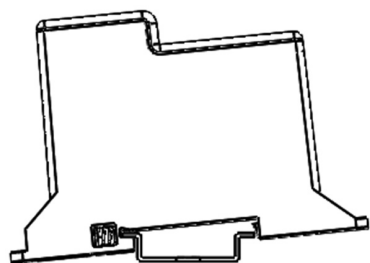
IP20 WITH WIRE INSTALLED

Catalog Number	Installed Wire	Trim Length in. (mm)	Line Side		Load Side Location	Installed Wire	Trim Length in. (mm)	Load Side IP20	
			Conductor Opening	Screw Opening				Conductor Opening	Screw Opening
CEP-FSPDB85	4 to 14 AWG	.575"	Yes	Yes	Top	8 to 16 AWG	.575"	Yes	Yes
					Bottom	6 to 14 AWG			
CEP-FSPDB115	2 to 14 AWG	.575"	Yes	Yes	Top	8 to 16 AWG	.425"	Yes	Yes
					Bottom	4 to 14 AWG			
CEP-FSPDB160	2/0 to 14 AWG	.775"	Yes	Yes	Top	6 to 14 AWG	.500"	Yes	Yes
					Bottom	4 to 14 AWG			
CEP-FSPDB200	4/0 to 10 AWG	.875"	No	Yes	All	4 to 14 AWG	.625"	Yes	Yes
CEP-FSPDB250	250 to 6 AWG	1.00"	No	Yes	Top	6 to 14 AWG	.525"	Yes	Yes
					Middle	4 to 14 AWG			
					Bottom	2 to 14 AWG			

**MOUNTING INSTRUCTIONS**

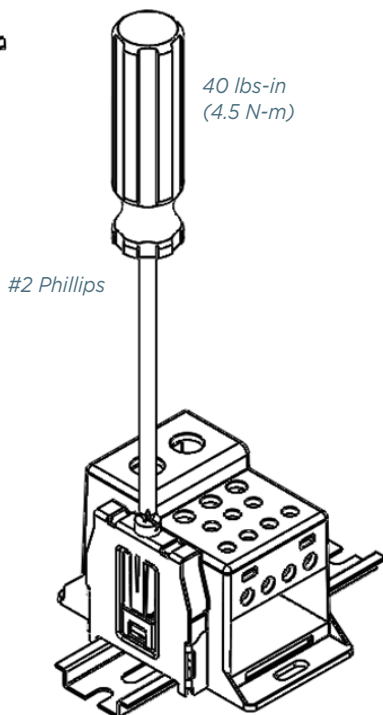
**DIN Rail Mounting**

2. Push forward to compress  
DIN rail mounting spring →



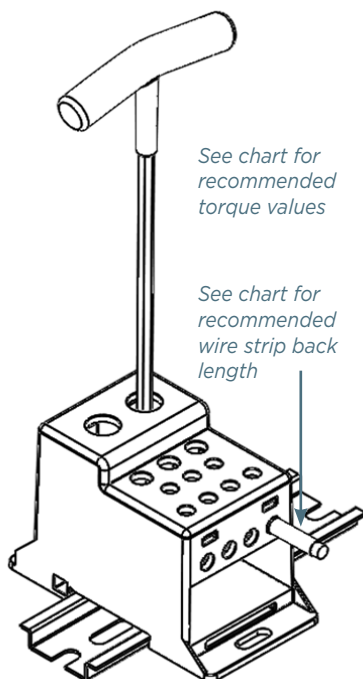
1. Hook line side over 35mm DIN Rail

3. Push down  
until "Click"



40 lbs-in  
(4.5 N-m)

#2 Phillips



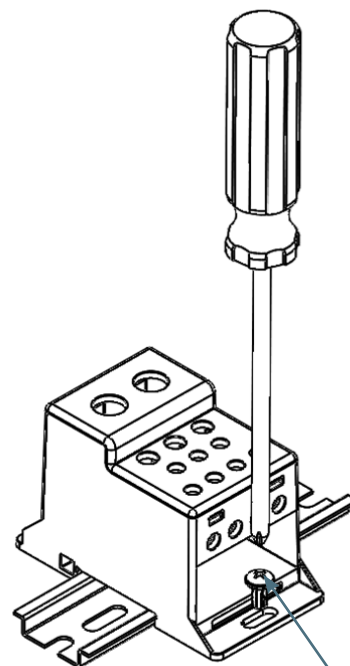
See chart for  
recommended  
torque values

See chart for  
recommended  
wire strip back  
length

FSEA Anchor (one each  
side of block) **MUST** be  
used for mounting single  
pole CEP-FSPDBs to  
prevent damage to the  
block while tightening  
terminals.

FSEA Anchor  
recommended  
for all CEP-FSPDB on  
DIN Rails

**Panel Mounting**



Use 2 screws  
For mounting single pole

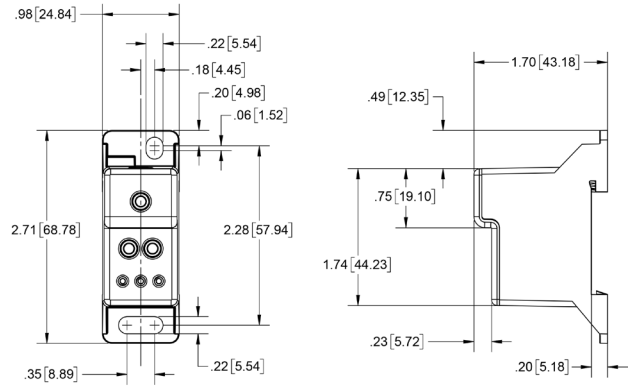
#10 or M5

**Environmental Specifications**

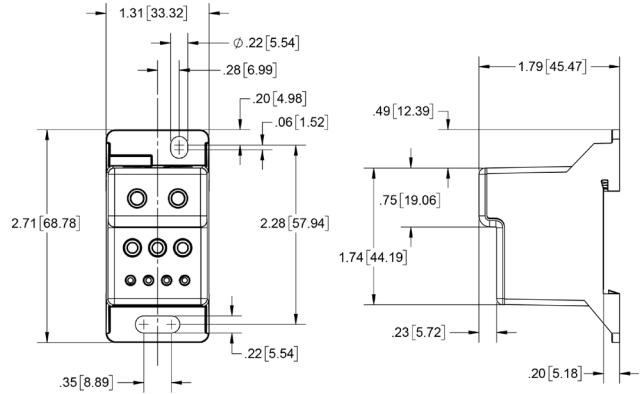
- Operating temperature range  
-10°C to 40°C
- Storage temperature range  
-25°C to 90°C

DIMENSIONS

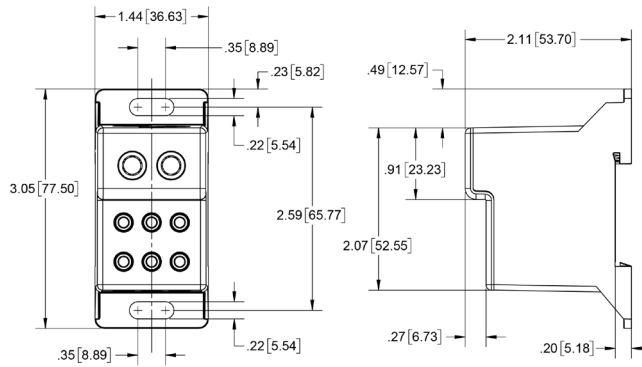
CEP-FSPDB85



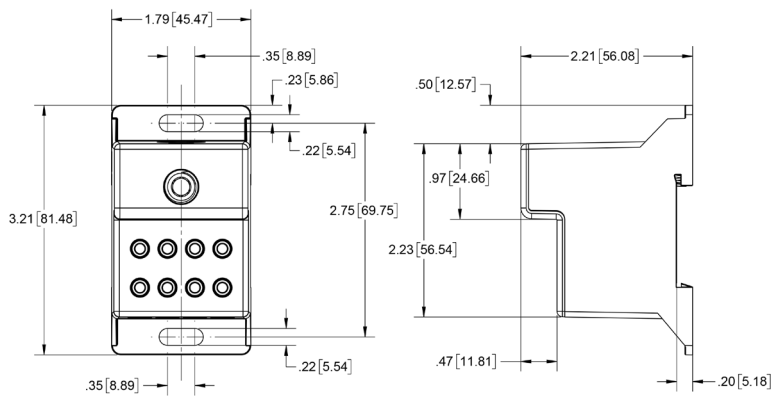
CEP-FSPDB115



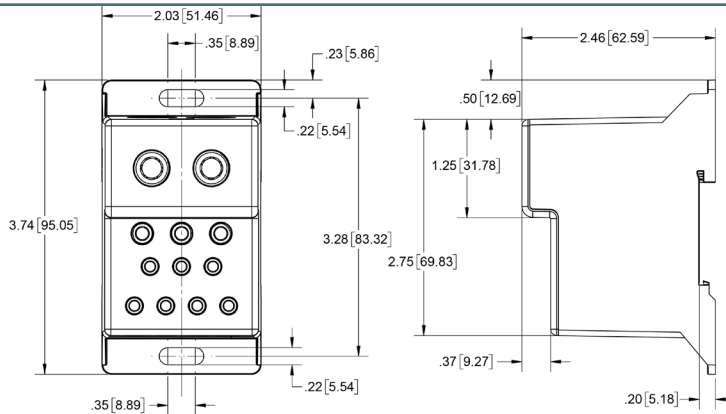
CEP-FSPDB160



CEP-FSPDB200



CEP-FSPDB250



PD