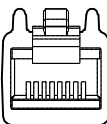
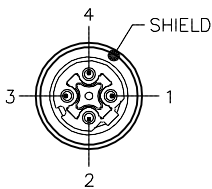
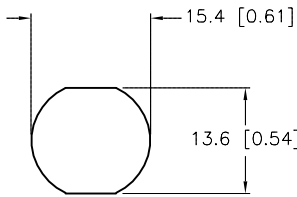



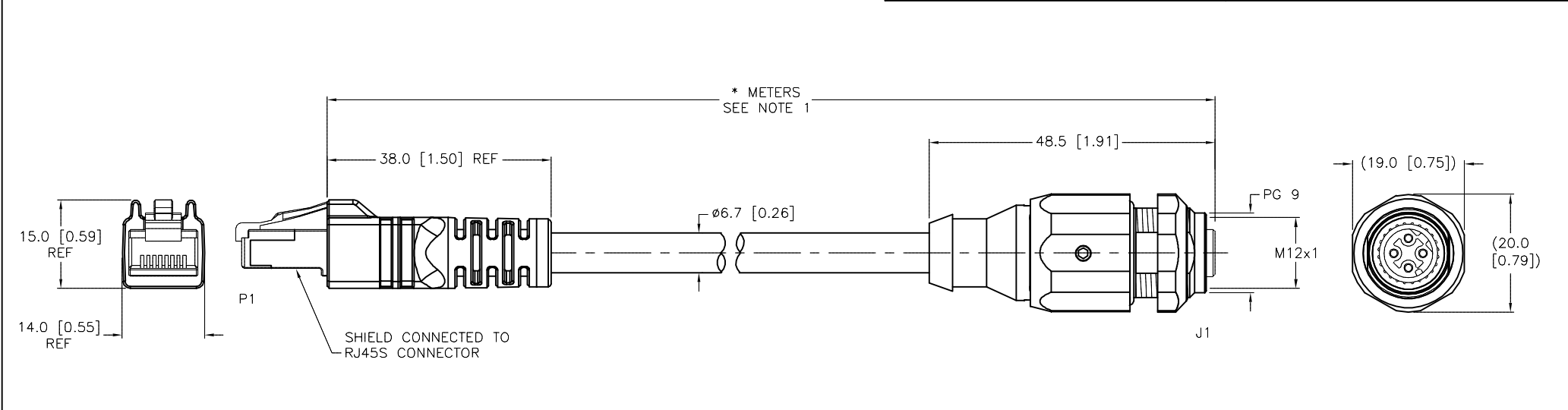


RJ45S END VIEW	FEMALE END VIEW	MOUNTING HOLE	SPECIFICATIONS	
 <p>12345678</p> <p>1 = WHITE/ORANGE (+TX) 2 = ORANGE (-TX) 3 = WHITE/GREEN (+RX) 4 = N/C 5 = N/C 6 = GREEN (-RX) 7 = N/C 8 = N/C</p>	 <p>1 = WHITE/ORANGE (+TX) 2 = WHITE/GREEN (+RX) 3 = ORANGE (-TX) 4 = GREEN (-RX)</p>	 <p>15.4 [0.61] 13.6 [0.54]</p>	CONTACT CARRIER MATERIAL/COLOR (P1)	POLYCARBONATE/CLEAR
			MOLDED HEAD MATERIAL/COLOR (P1)	TPU/BLACK
  			CONTACT MATERIAL/PLATING (P1)	BRONZE/GOLD
			CONTACT CARRIER MATERIAL/COLOR (J1)	TPU/BLACK
			MOLDED HEAD MATERIAL/COLOR (J1)	TPU/BLUE-GRAY
			CONTACT MATERIAL/PLATING (J1)	BRASS/GOLD
			COUPLING NUT MATERIAL/PLATING (J1)	BRASS/NICKEL
			RATED CURRENT [A]	1.5 A
			RATED VOLTAGE [V]	42 V
			OUTER CABLE JACKET MATERIAL/COLOR	TPE/TEAL
			CONDUCTOR INSULATION MATERIAL	HDPE
			NUMBER OF CONDUCTORS [AWG]	4x24 AWG, STRANDED, CAT 5e
			SHIELDING	ALUM. FOIL & TINNED COPPER BRAIDED
			TEMPERATURE RANGE	-40°C to +75°C (-40°F to +167°F)
			PROTECTION CLASS	MEETS NEMA 1,3,4,6P AND IEC IP68 (RJ45/IP20)
			MAX. PANEL THICKNESS	5.5mm [0.216"]

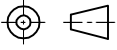


CABLE LENGTH	TOLERANCE*
ALL LENGTHS	+ 4% (OR 50mm) OF LENGTH - 0% (OR 0mm) OF LENGTH WHICHEVER IS GREATER
STRIP LENGTH	TOLERANCE*
0-7mm	±0.5mm
8-29mm	±1.0mm
30-49mm	±2.0mm
50-69mm	±3.0mm
70-100mm	±4.0mm
OVER 100mm	±5.0mm

* UNLESS OTHERWISE SPECIFIED

SOURCE DRAWING - FOR REFERENCE ONLY

NOTES:
1. "*" INDICATES CABLE LENGTH IN METERS. CONTACT TURCK TO ORDER SPECIFIC LENGTHS.

RELATED DOCUMENTS	3RD ANGLE PROJECTION	THIS DRAWING IS CONFIDENTIAL AND THE PROPERTY OF TURCK INC. USE OF THIS DOCUMENT WITHOUT WRITTEN PERMISSION IS PROHIBITED.		3000 CAMPUS DRIVE MINNEAPOLIS, MN 55441 1-800-544-7769 (763) 553-7300 (763) 553-0708 fax www.turck.us	
1.		DRFT	RDS	DATE	10/12/04
2.		APVD		SCALE	1=1.0
3.	ALL DIMENSIONS DISPLAYED ON THIS DRAWING ARE FOR REFERENCE ONLY CONTACT TURCK FOR MORE INFORMATION	UNIT OF MEASUREMENT			DESCRIPTION
4.		MILLIMETER [INCH]			RJ45S FKSDDED 441-*M
MATERIAL		IDENTIFICATION NO.			REV
FINISH		DO NOT SCALE THIS DRAWING			K
		FILE: 777006696			SHEET 1 OF 1

K	UPDATE CABLE OD	NF	03/23/18	64737
REV	DESCRIPTION	BY	DATE	ECO NO.