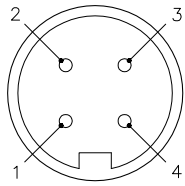



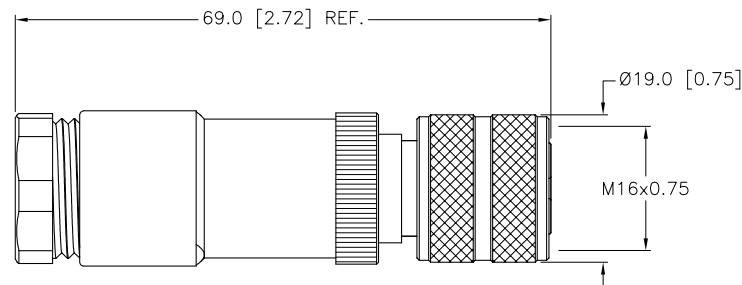
FEMALE END VIEW



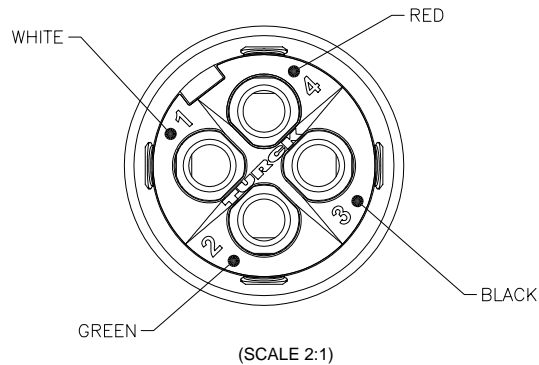
 M16 connector

SPECIFICATIONS

HOUSING MATERIAL/COLOR	GLASS FILLED NYLON or PVC/BLACK
CONTACT MATERIAL/PLATING	BRASS or TeCU/GOLD
COUPLING NUT MATERIAL/PLATING	BRASS/NICKEL
RATED CURRENT [A]	15.0 A
RATED VOLTAGE [V]	600 V
MAXIMUM WIRE SIZE	14 AWG
TERMINATION METHOD	SCREW TERMINAL
TEMPERATURE RATING	-40°C to +90°C (-40°F to +194°F)
PROTECTION CLASS	IP 67/NEMA 6P
CABLE GRIP RANGE	PG 11 = 8-11mm

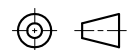


WIRE SIDE VIEW OF CONTACT HOLDER TO SHOW LABEL DETAILS



CAUTION:
RISK OF ELECTRICAL SHOCK
DO NOT DISCONNECT UNDER LOAD

SOURCE DRAWING - FOR REFERENCE ONLY

RELATED DOCUMENTS		3RD ANGLE PROJECTION		THIS DRAWING IS PROPERTY OF TURCK INC. USE OF THIS DOCUMENT WITHOUT WRITTEN PERMISSION IS PROHIBITED.		3000 CAMPUS DRIVE MINNEAPOLIS, MN 55441 1-800-544-7769 (763) 553-7300 (763) 553-0708 fax turck.com	
1.			DRFT	RDS	DATE 12/02/08	DESCRIPTION BK 44-0	
2.			DSGN		SCALE 1=1.0		
3.		ALL DIMENSIONS DISPLAYED ON THIS DRAWING ARE FOR REFERENCE ONLY	UNIT OF MEASUREMENT			IDENTIFICATION NO. U2-14095	
4.			MILLIMETER [INCH]				
MATERIAL		SEE SPECIFICATIONS		DO NOT SCALE THIS DRAWING		REV B	
FINISH		SEE SPECIFICATIONS		CONTACT TURCK FOR MORE INFORMATION		FILE: U2-14095	
B	ADD CAUTION LABEL	RDS	08/26/09	27259	SHEET 1 OF 1		
REV	DESCRIPTION	BY	DATE	ECO NO.			