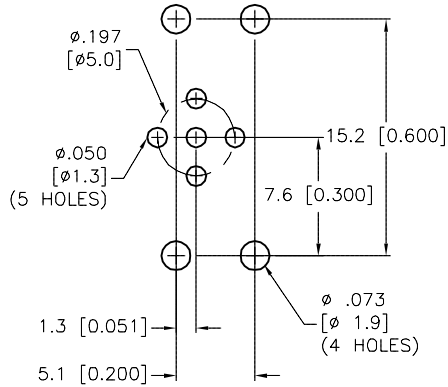
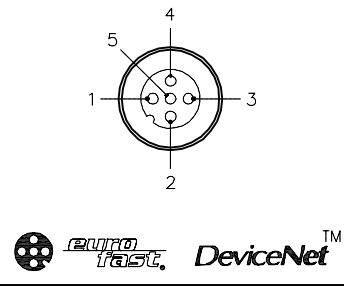


BOARD LAYOUT

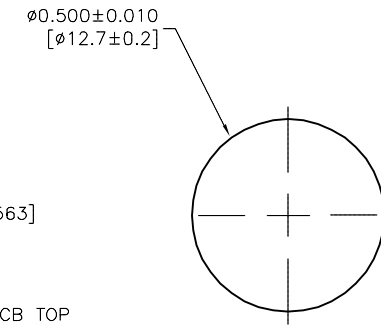
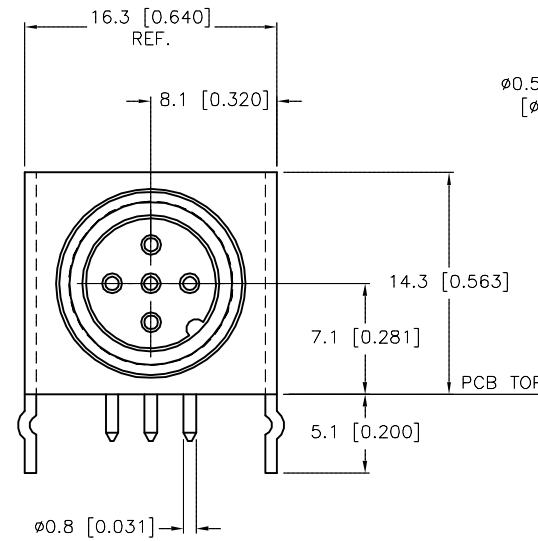
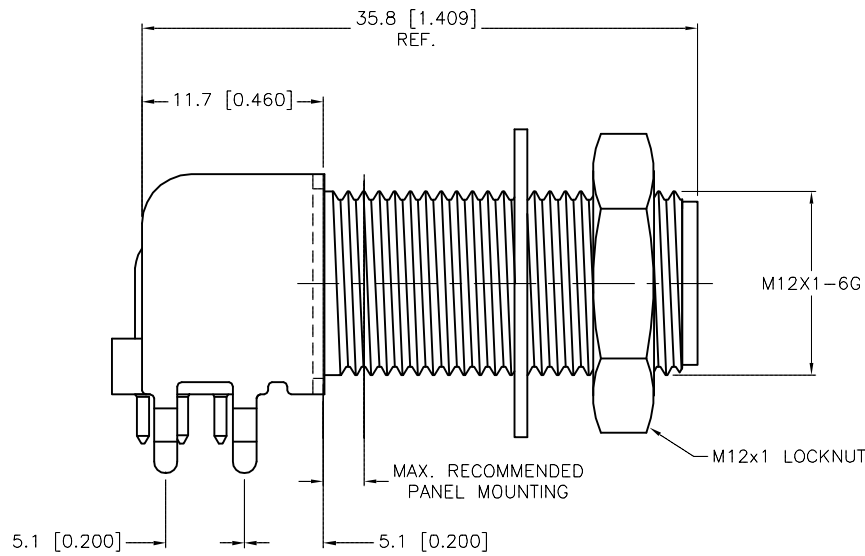


MALE END VIEW



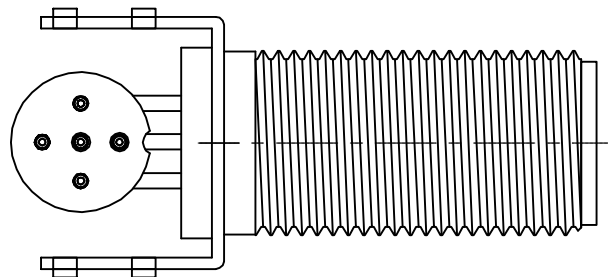
SPECIFICATIONS

CONTACT CARRIER MATERIAL/COLOR	PA 6 NYLON/BLUE-GRAY
CONTACT MATERIAL/PLATING	BRASS/GOLD
HOUSING, LOCKNUT MATERIAL/PLATING	BRASS/NICKEL
RATED CURRENT [A]	4.0 A
RATED VOLTAGE [V]	30 VAC/36 VDC
NUMBER OF CONDUCTORS [AWG]	PRINTED CIRCUIT PINS
TEMPERATURE RATING	-40°C to +80°C (-40°F to +176°F)
PROTECTION CLASS	MEETS NEMA 1,3,4,6P AND IEC IP68



MOUNTING HOLE

LOCKNUT NOT SHOWN



UNIT SNAP-FITS INTO 0.062 TO 0.125 THICK PC BOARDS.
SOURCE DRAWING - FOR REFERENCE ONLY

NOTE: SPACER PERMANENTLY ATTACHED TO PINS FOR ALIGNMENT.

RELATED DOCUMENTS 1. U2369-2 2. 3. 4.		3RD ANGLE PROJECTION 		THIS DRAWING IS CONFIDENTIAL AND THE PROPERTY OF TURCK INC. USE OF THIS DOCUMENT WITHOUT WRITTEN PERMISSION IS PROHIBITED.		TURCK INC High Technology Sensors and Automation Controls 3000 CAMPUS DRIVE MINNEAPOLIS, MN 55441 1-800-544-7769 (763) 553-7300 (763) 553-0708 fax turck.com	
MATERIAL		DRFT	GC	DATE	03/08/99	DESCRIPTION WFS 57-PCB	
FINISH		APVD		SCALE	2=1.0	IDENTIFICATION NO. U2369-0	
		UNIT OF MEASUREMENT MILLIMETER [INCH]		DO NOT SCALE THIS DRAWING		REV F	FILE: U2369-0
REV	DESCRIPTION	BY	DATE	ECO NO.	SHEET 1 OF 1		

F	ADD WASHER PER ECO	KMY	04/23/14	45597
REV	DESCRIPTION	BY	DATE	ECO NO.