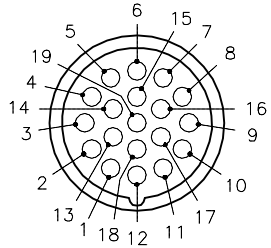



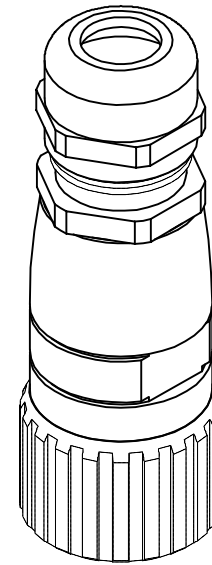
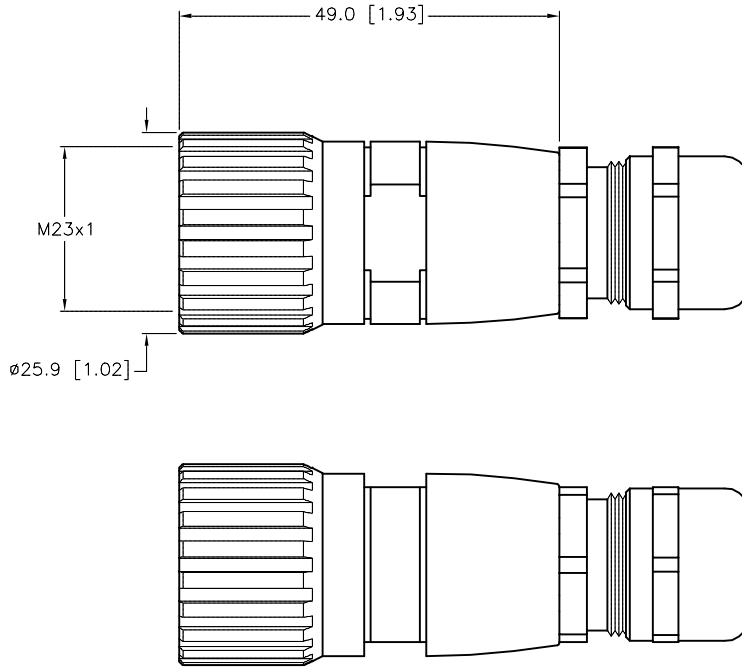
MALE END VIEW



 M23 connector

SPECIFICATIONS

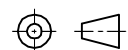
CONTACT CARRIER MATERIAL	PBT OR NYLON
CONTACT MATERIAL/PLATING	BRASS/GOLD
COUPLING NUT MATERIAL/PLATING	BRASS/NICKEL
GASKET	NEOPRENE
RATED CURRENT [A]	4.0 A
RATED VOLTAGE [V]	250 V
MAX. CONDUCTORS SIZE	18 AWG
TERMINATION METHOD	SOLDER
TEMPERATURE	-40°C to 125°C (-40°F to 257°F)
PROTECTION CLASS	IEC IP 65
CABLE DIAMETERS	5mm (.197") to 12mm (.472)



SOURCE DRAWING - FOR REFERENCE ONLY

NOTES:

1. USE TOOL PART NUMBER "CK-TOOL" TO AID WITH ASSEMBLY OF FIELD-WIREABLE

RELATED DOCUMENTS 1. 2. 3. 4.	3RD ANGLE PROJECTION 	THIS DRAWING IS CONFIDENTIAL AND THE PROPERTY OF TURCK INC. USE OF THIS DOCUMENT WITHOUT WRITTEN PERMISSION IS PROHIBITED.		3000 CAMPUS DRIVE MINNEAPOLIS, MN 55441 1-800-544-7769 (763) 553-7300 (763) 553-0708 fax www.turck.us		
	MATERIAL	DRFT RJP	DATE 4/24/96	DESCRIPTION CS 19-0		
	FINISH	ALL DIMENSIONS DISPLAYED ON THIS DRAWING ARE FOR REFERENCE ONLY CONTACT TURCK FOR MORE INFORMATION	APVD	SCALE 1=1.0	IDENTIFICATION NO. U0211-4	
			UNIT OF MEASUREMENT MILLIMETER [INCH]		REV C	
DO NOT SCALE THIS DRAWING		FILE: U0211-4		SHEET 1 OF 1		

C	ADD NOTES	RDS	10/09/20	76214
REV	DESCRIPTION	BY	DATE	ECO NO.