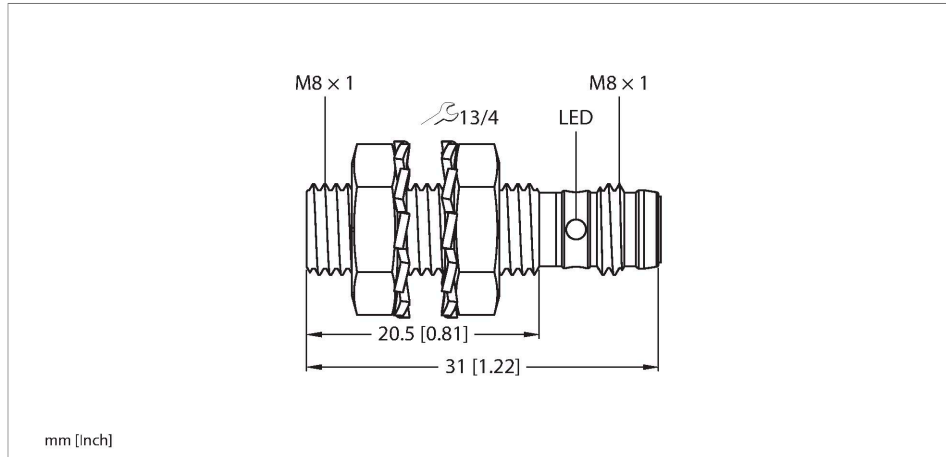


BI1.5-EG08K-RP6X-V1131

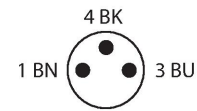
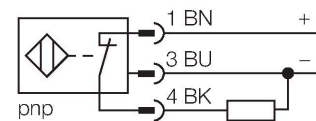
Inductive Sensor



Features

- M8 × 1 threaded barrel
- Stainless steel, 1.4305 (AISI 303)
- DC 3-wire, 10...30 VDC
- NC contact, PNP output
- M8 x 1 male connector

Wiring diagram



Technical data

| | |
|---|---|
| Type | BI1.5-EG08K-RP6X-V1131 |
| ID | 4672441 |
| General data | |
| Rated switching distance | 1.5 mm |
| Mounting conditions | Flush |
| Secured operating distance | ≤ (0.81 × S _n) mm |
| Correction factors | St37 = 1; Al = 0.3; stainless steel = 0.7; Ms = 0.4 |
| Repeat accuracy | ≤ 2 % of full scale |
| Temperature drift | ≤ ±10 % |
| Hysteresis | 20 % |
| Electrical data | |
| Operating voltage | 10...30 VDC |
| Residual ripple | ≤ 10 % U _{ss} |
| DC rated operational current | ≤ 150 mA |
| No-load current | 15 mA |
| Residual current | ≤ 0.1 mA |
| Isolation test voltage | ≤ 0.5 kV |
| Short-circuit protection | yes / Cyclic |
| Voltage drop at I _o | ≤ 1.8 V |
| Wire breakage/Reverse polarity protection | yes / Complete |
| Output function | 3-wire, NC contact, PNP |
| Switching frequency | 3 kHz |

Functional principle

Inductive sensors detect metal objects contactless and wear-free. For this, they use a high-frequency electromagnetic AC field that interacts with the target. Inductive sensors generate this field via an RLC circuit with a ferrite coil.

Technical data

| Mechanical data | |
|---------------------------------------|--|
| Design | Threaded barrel, M8 × 1 |
| Dimensions | 31 mm |
| Housing material | Stainless steel, 1.4305 (AISI 303) |
| Active area material | Plastic, PA6.6 |
| Max. tightening torque of housing nut | 5 Nm |
| Electrical connection | Connector, M8 × 1 |
| Environmental conditions | |
| Ambient temperature | -25...+70 °C |
| Vibration resistance | 55 Hz (1 mm) |
| Shock resistance | 30 g (11 ms) |
| Protection class | IP67 |
| MTTF | 2283 years acc. to SN 29500 (Ed. 99) 40 °C |
| Switching state | LED, Yellow |

Mounting instructions

Mounting instructions/Description



| | |
|------------------------|---------|
| Distance D | 2 x B |
| Distance W | 3 x Sn |
| Distance T | 3 x B |
| Distance S | 1.5 x B |
| Distance G | 6 x Sn |
| Diameter active area B | Ø 8 mm |

Accessories

| | | | |
|-----------------------|--|----------------------|--|
| <p>BST-08B</p> | <p>6947210</p> <p>Mounting clamp for threaded barrel sensors, with dead-stop; material: PA6</p> | <p>QM-08</p> | <p>6945100</p> <p>Quick-mount bracket with dead-stop, chrome-plated brass, male thread M12 x 1. Note: The switching distance of proximity switches may be reduced through the use of quick-mount brackets.</p> |
| <p>MW-08</p> | <p>6945008</p> <p>Mounting bracket for threaded barrel sensors; material: Stainless steel A2 1.4301 (AISI 304)</p> | <p>BSS-08</p> | <p>6901322</p> <p>Mounting clamp for smooth and threaded barrel sensors; material: Polypropylene</p> |
| <p>MBS80</p> | <p>69479</p> <p>Mounting clamp for smooth barrel sensors; mounting block material: Anodized aluminum</p> | | |

Wiring accessories

| Dimension drawing | Type | ID | |
|-------------------|---------------------|----------------|--|
| | <p>PKGV3M-2/TEL</p> | <p>6625385</p> | <p>Connection cable, female M8, straight, 3-pin, stainless steel coupling nut, cable length: 2 m, sheath material: PVC, black; cULus approval; other cable lengths and qualities available, see www.turck.com</p> |