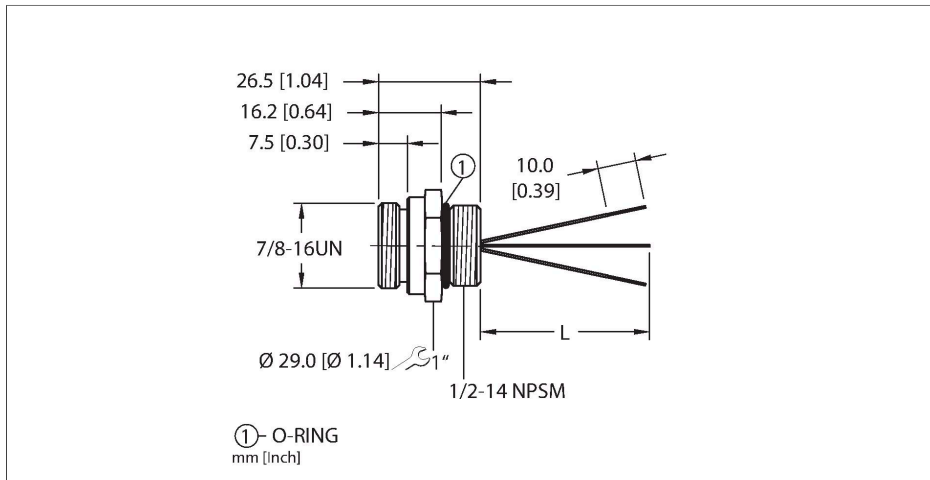


# RSF 30-xM

## Actuator and Sensor Receptacle – Front Mount



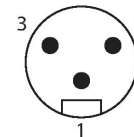
### Features



- Male 7/8" minifast Receptacle, 3 pin
- Mounting thread: 1/2"-14 NPSM

### Contact assignment

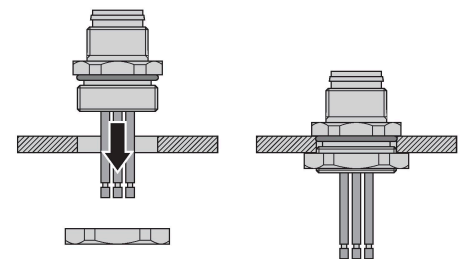
Connector A



### Circuit Diagram



### Front panel mounting



### Technical data

Type	RSF 30-xM
ID	777000806
Connector A	Male, 7/8"-16 UN
Number of contacts	3
Contacts	Brass, CuZn, Gold-plated
Contact carriers	Plastic, TPU, Black
Housing material/finish	Brass, CuZn, Nickel-plated
Tightening torque (range)	0.8 ... 2 Nm (note max. torque of mating connector!)
Mounting orientation	Front mount
Panel seal	O-ring, plastic, NBR
Mounting thread	1/2"-14 NPSM
Receptacle mounting torque	6.8...27.1 Nm
Mechanical life	> 100 Mating cycles
Pollution degree	3
Protection class (When coupled)	IP67, IP68, IP69, IP69K NEMA: 1, 3, 4, 6P, 12
Total number of conductors	3
Conductor material	TC (tinned copper)
Conductor insulation material	PVC
Conductor size	18 AWG [Similar to 0.75 mm <sup>2</sup> ]
Conductor colors	BN, BU,GN/YE
Electrical properties at +20 °C	
Rated voltage	600 V

## Technical data

Current 9 A

### Mechanical and chemical properties

Ambient temperature range (static) -40 °C...+105 °C

Approvals  
UL 2238  
CSA C22.2 No. 182.3  
CE  
RoHS

### Note

- We reserve the right to make technical alterations without prior notice.