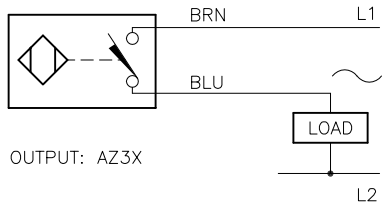
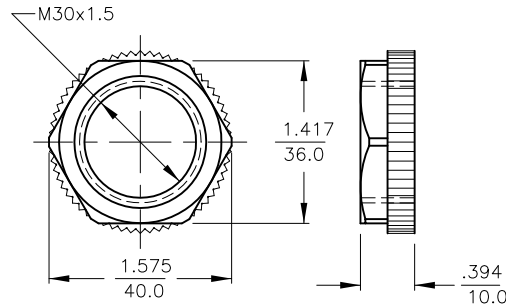


WIRING DIAGRAMS



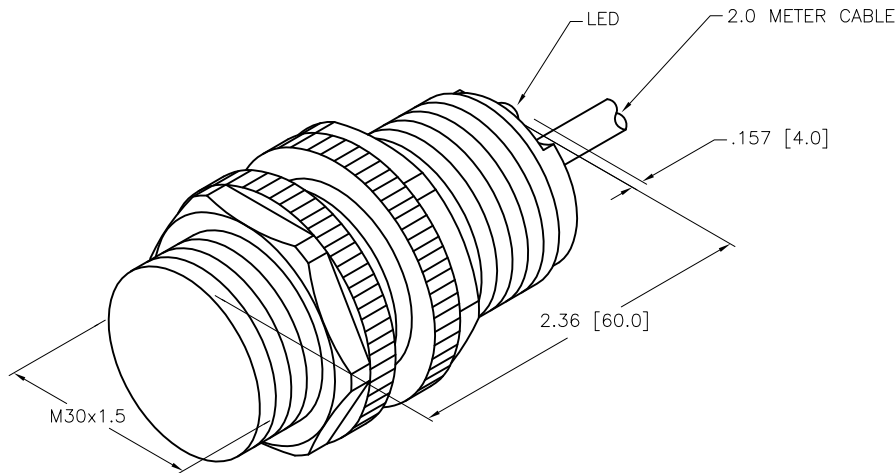
WARNING: NO SHORT-CIRCUIT PROTECTION
ALWAYS WIRE A LOAD IN SERIES WITH THE SENSOR.

LOCKNUT LN-P30



SPECIFICATIONS

RATED OPERATING DISTANCE	10mm = .394" (NOMINAL)
MOUNTING MODE	FLUSH
REPEATABILITY	RATED OPERATING DISTANCE
HYSTERESIS	3-15%
AMBIENT TEMPERATURE	-25°C to +70°C (-13°F to +158°F)
OPERATING VOLTAGE	20-250 VDC/DC
CONTINUOUS LOAD CURRENT	≤ 500 mA
LINE FREQUENCY	40-60 Hz
RESIDUAL CURRENT	≤ 1.7 mA
PROTECTION AGAINST TRANSIENTS	5 kV, 10 ms, 10 kΩ
MIN. OPERATING CURRENT	≥ 5.0 mA
INRUSH CURRENT	≤ 8 A (≤ 10 ms/5 Hz)
MAX. VOLTAGE DROP	≤ 7.0 V
OUTPUT FUNCTION	NORMALLY OPEN, 2-WIRE, AC, SELF-CONTAINED
SHORT-CIRCUIT PROTECTION	NO
TIME DELAY BEFORE AVAILABILITY	≤ 20 ms
POWER-ON EFFECT PROTECTION	INCORPORATED
SWITCHING FREQUENCY	≤ 0.02 kHz
VIBRATION RESISTANCE	55 Hz (IN ALL 3 PLANES)
SHOCK RESISTANCE	30 g, 11 ms
PROTECTION DEGREE	IP67
SWITCHING STATUS INDICATION	LED; RED



RELATED DOCUMENTS		3RD ANGLE PROJECTION		THIS DRAWING IS CONFIDENTIAL AND THE PROPERTY OF TURCK INC. USE OF THIS DOCUMENT WITHOUT WRITTEN PERMISSION IS PROHIBITED.		3000 CAMPUS DRIVE MINNEAPOLIS, MN 55441 1-800-544-7769 (763) 553-7300 (763) 553-0708 fax www.turck.us	
1. 2. 3. 4.				DRFT RDS DATE 08/25/03		DESCRIPTION B110-P30-AZ3X	
MATERIAL PA 12-GF30 PLASTIC BARREL		ALL DIMENSIONS DISPLAYED ON THIS DRAWING ARE FOR REFERENCE ONLY		APVD BT SCALE 1=1.3		IDENTIFICATION NO. 4374992	
FINISH		CONTACT TURCK FOR MORE INFORMATION		UNIT OF MEASUREMENT INCH [MILLIMETER]		REV C	
C UPDATE ID NUMBER PER HARMONIZATION PROJECT		CBM 11/06/17		DO NOT SCALE THIS DRAWING		FILE: 4374992	
REV DESCRIPTION		BY DATE ECO NO.				SHEET 1 OF 1	