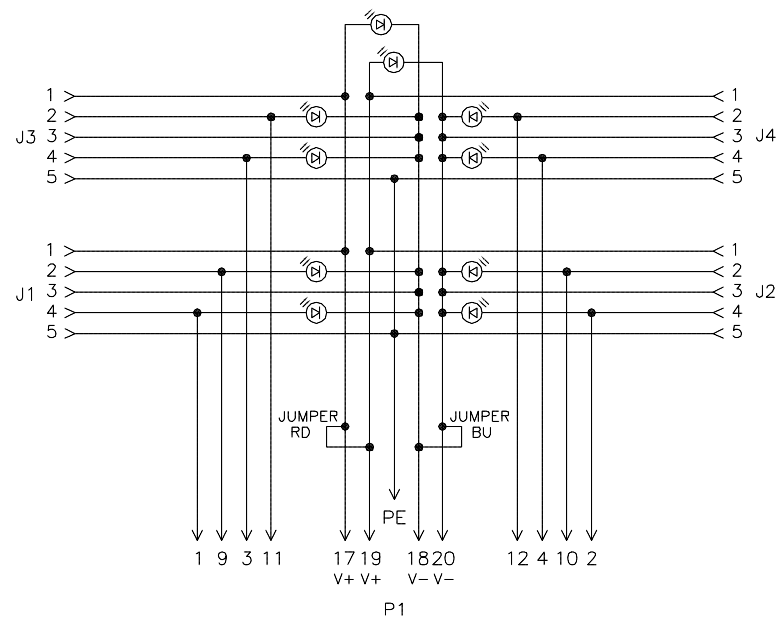
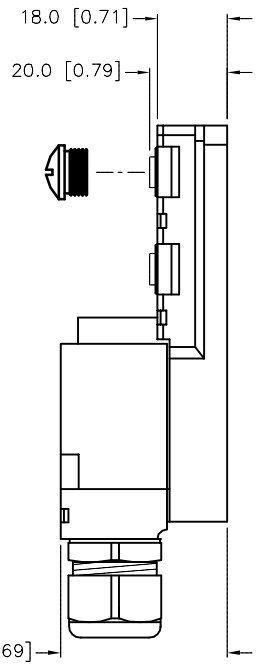
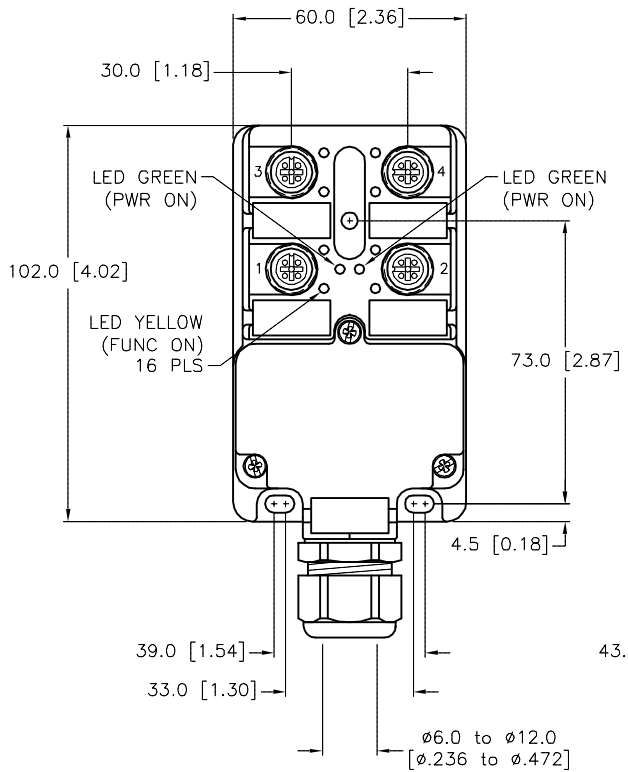


| SPECIFICATIONS | |
|-----------------------------------|---|
| HOUSING MATERIAL/COLOR | PBT (UL 94 VO)/BLACK |
| RECEPTACLE THREADING MATL/PLATING | BRASS/NICKEL |
| CONTACT CARRIERS/COLOR | PBT/BLACK |
| CONTACTS MATERIAL/PLATING | BRASS/GOLD |
| SEALING, RECEPTACLE | VITON O-RING |
| SEALING, HOUSING | TPU FOAM |
| TERMINATION METHOD | SPRING-CLAMPING (FIELD WIRABLE) |
| MAX. WIRE SIZE [AWG] | 16 AWG |
| OPERATING VOLTAGE [V] | 10-30 V |
| OPERATING CURRENT [A] | 2.0 A PER SIGNAL, 10.0 A TOTAL or 8.0 A PER SUPPLY |
| PROTECTION CLASS to DIN 40050 | IP 68 - ONLY WHEN ALL RECEPTACLES ARE COVERED WITH PLUGS OR CONNECTED |
| OPERATING TEMPERATURE | -20°C to +90°C (-4°F to +194°F) |



WIRING DIAGRAM
(FACTORY SETTING)

SOURCE DRAWING - FOR REFERENCE ONLY



CLOSURE CAPS
(2 INCLUDED)

| | | | | | |
|---|---|--|---------------------------|---|----------------|
| RELATED DOCUMENTS 1. 2. 3. 4. | 3RD ANGLE PROJECTION | THIS DRAWING IS CONFIDENTIAL AND THE PROPERTY OF TURCK INC. USE OF THIS DOCUMENT WITHOUT WRITTEN PERMISSION IS PROHIBITED. | | 3000 CAMPUS DRIVE MINNEAPOLIS, MN 55441 1-800-544-7769 (763) 553-7300 (763) 553-0708 fax turck.com | |
| | MATERIAL SEE SPECIFICATIONS | DRFT JBU | DATE 12/03/01 | DESCRIPTION 4MB12-5P4-K-FK | |
| FINISH SEE SPECIFICATIONS | ALL DIMENSIONS DISPLAYED ON THIS DRAWING ARE FOR REFERENCE ONLY | APVD | SCALE 1=2.0 | IDENTIFICATION NO. U8018207 | |
| | CONTACT TURCK FOR MORE INFORMATION | UNIT OF MEASUREMENT MILLIMETER [INCH] | | REV E | |
| E UPDATE CABLE GLAND RANGE | RDS 11/30/15 | 52456 | DO NOT SCALE THIS DRAWING | | FILE: U8018207 |
| REV DESCRIPTION | BY DATE ECO NO. | | SHEET 1 OF 1 | | |