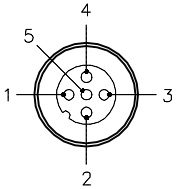
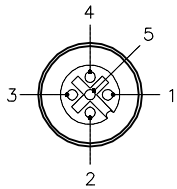
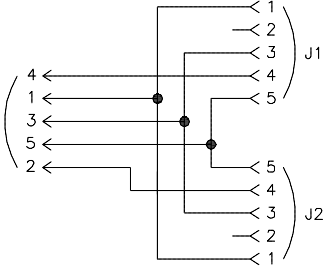
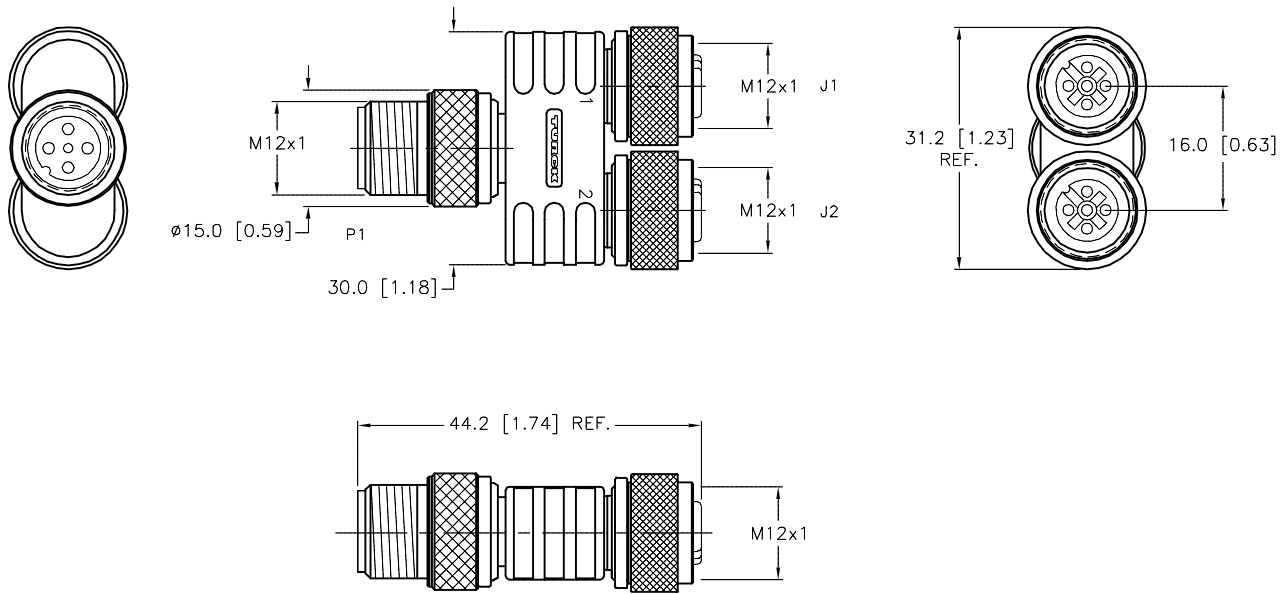
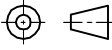


MALE END VIEW	FEMALE END VIEW	WIRING DIAGRAM	SPECIFICATIONS																			
			<table border="1"> <tr><td>CONTACT CARRIER MATERIAL</td><td>NYLON OR TPU</td></tr> <tr><td>MOLDED BODY MATERIAL/COLOR</td><td>TPU/BLACK</td></tr> <tr><td>CONTACT MATERIAL/PLATING</td><td>BRASS/GOLD</td></tr> <tr><td>COUPLING NUT MATERIAL/PLATING</td><td>BRASS/NICKEL</td></tr> <tr><td>RATED CURRENT [A]</td><td>4.0 A</td></tr> <tr><td>RATED VOLTAGE [V]</td><td>30 VAC/36 VDC</td></tr> <tr><td>NUMBER OF CONDUCTORS [AWG]</td><td>PRINTED CIRCUIT PINS</td></tr> <tr><td>TEMPERATURE RATING</td><td>-30°C to +80°C (-22°F to +176°F)</td></tr> <tr><td>PROTECTION CLASS</td><td>MEETS IEC IP67</td></tr> </table>	CONTACT CARRIER MATERIAL	NYLON OR TPU	MOLDED BODY MATERIAL/COLOR	TPU/BLACK	CONTACT MATERIAL/PLATING	BRASS/GOLD	COUPLING NUT MATERIAL/PLATING	BRASS/NICKEL	RATED CURRENT [A]	4.0 A	RATED VOLTAGE [V]	30 VAC/36 VDC	NUMBER OF CONDUCTORS [AWG]	PRINTED CIRCUIT PINS	TEMPERATURE RATING	-30°C to +80°C (-22°F to +176°F)	PROTECTION CLASS	MEETS IEC IP67	
CONTACT CARRIER MATERIAL	NYLON OR TPU																					
MOLDED BODY MATERIAL/COLOR	TPU/BLACK																					
CONTACT MATERIAL/PLATING	BRASS/GOLD																					
COUPLING NUT MATERIAL/PLATING	BRASS/NICKEL																					
RATED CURRENT [A]	4.0 A																					
RATED VOLTAGE [V]	30 VAC/36 VDC																					
NUMBER OF CONDUCTORS [AWG]	PRINTED CIRCUIT PINS																					
TEMPERATURE RATING	-30°C to +80°C (-22°F to +176°F)																					
PROTECTION CLASS	MEETS IEC IP67																					



SOURCE DRAWING - FOR REFERENCE ONLY

RELATED DOCUMENTS 1. 2. 3. 4.	3RD ANGLE PROJECTION 	THIS DRAWING IS CONFIDENTIAL AND THE PROPERTY OF TURCK INC. USE OF THIS DOCUMENT WITHOUT WRITTEN PERMISSION IS PROHIBITED.	<div style="text-align: right;"> 3000 CAMPUS DRIVE MINNEAPOLIS, MN 55441 1-800-544-7769 (763) 553-7300 (763) 553-0708 fax www.turck.us </div> <div style="text-align: center; font-size: 2em; font-weight: bold; margin-top: 10px;"> TURCK </div>	
MATERIAL SEE SPECIFICATIONS FINISH SEE SPECIFICATIONS	ALL DIMENSIONS DISPLAYED ON THIS DRAWING ARE FOR REFERENCE ONLY CONTACT TURCK FOR MORE INFORMATION	DRFT JBJ DATE 03/18/02 APVD SCALE 1=1.0	DESCRIPTION YB2-FSM 4.5-2FKM 4.5	
DO NOT SCALE THIS DRAWING		UNIT OF MEASUREMENT MILLIMETER [INCH] IDENTIFICATION NO. U0875-78 REV E FILE: U0875-78 SHEET 1 OF 1		

E	UPDATE PROTECTION CLASS SPECIFICATION	KMY 07/03/13 42662
REV	DESCRIPTION	BY DATE ECO NO.