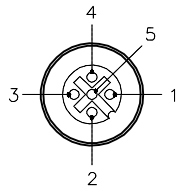
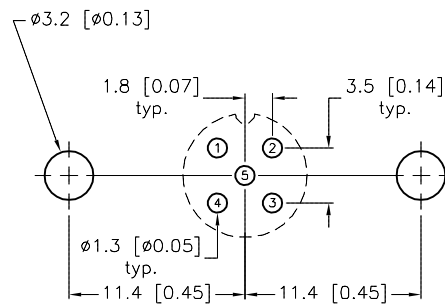
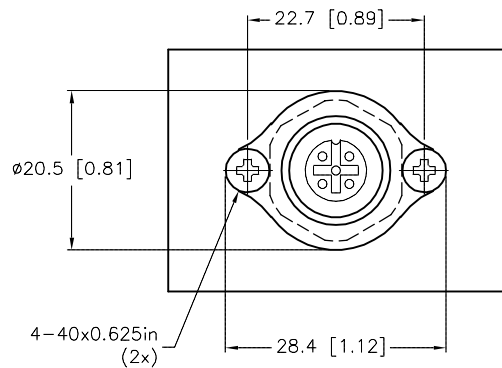


FEMALE END VIEW

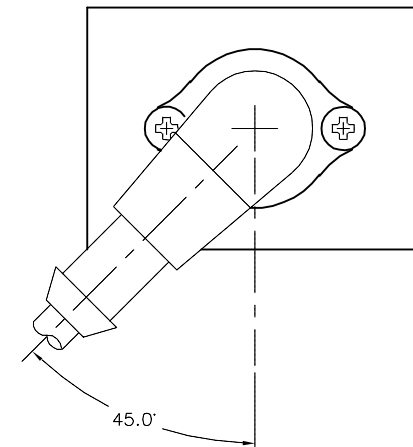


SPECIFICATIONS

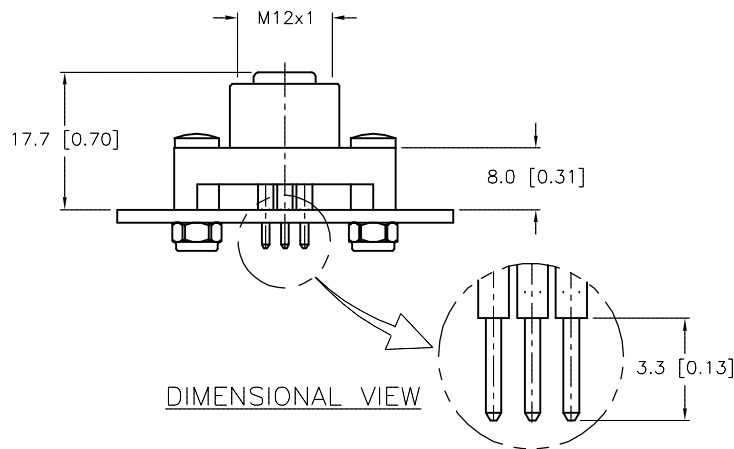
CONTACT CARRIER MATERIAL	NYLON OR TPU
CONTACT MATERIAL/PLATING	BRASS/GOLD
RATED CURRENT [A]	4.0 A
RATED VOLTAGE [V]	250 V
HOUSING MATERIAL/PLATING	BRASS/NICKEL
CONDUCTORS	PCB PINS
TEMPERATURE RATING	-30°C to +80°C (-22°F to +176°F)
PROTECTION CLASS	MEETS NEMA 1,3,4,6P AND IEC IP68
MAX BOARD THICKNESS	2mm



BOARD LAYOUT
SCALE 2:1



RIGHT ANGLE
CONNECTOR ORIENTATION



DIMENSIONAL VIEW

NOTES:

- FOR OTHER RIGHT ANGLE CONNECTOR ORIENTATIONS, ROTATE BOARD LAYOUT TO DESIRED ORIENTATION OR ROTATE 5-HOLE PINOUT IN INCREMENTS OF 60°.

<p>RELATED DOCUMENTS</p> <ol style="list-style-type: none"> INSERT SHEET 10240100 		<p>3RD ANGLE PROJECTION</p>		<p>THIS DRAWING IS CONFIDENTIAL AND THE PROPERTY OF TURCK INC. USE OF THIS DOCUMENT WITHOUT WRITTEN PERMISSION IS PROHIBITED.</p>		<p>3000 CAMPUS DRIVE MINNEAPOLIS, MN 55441 1-800-544-7769 (763) 553-7300 (763) 553-0708 fax www.turck.us</p>	
<p>MATERIAL SEE SPECIFICATIONS</p>		<p>DRFT IK</p> <p>APVD</p>		<p>DATE 10/21/97</p> <p>SCALE 2=1.0</p>		<p>DESCRIPTION FK 4.5-PCB</p>	
<p>FINISH SEE SPECIFICATIONS</p>		<p>ALL DIMENSIONS DISPLAYED ON THIS DRAWING ARE FOR REFERENCE ONLY</p> <p>CONTACT TURCK FOR MORE INFORMATION</p>		<p>UNIT OF MEASUREMENT MILLIMETER [INCH]</p>		<p>IDENTIFICATION NO. U1117-44</p> <p>REV </p>	
<p>DO NOT SCALE THIS DRAWING</p>		<p>FILE: U1117-44</p>		<p>SHEET 1 OF 1</p>			

I	ADD SPECS & UPDATE SCREW LENGTH	NF	08/01/19	500000000281
REV	DESCRIPTION	BY	DATE	ECO NO.