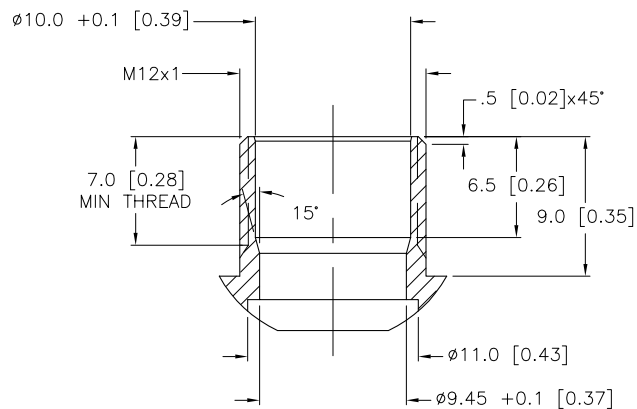
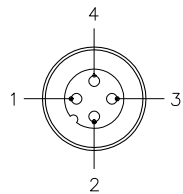
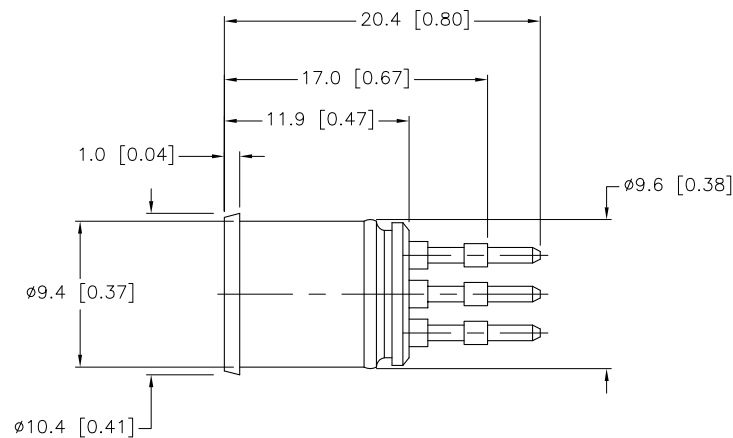
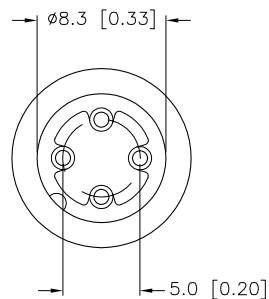


MALE END VIEW



MOUNTING BORE
(TYPICAL)



SPECIFICATIONS

CONTACT CARRIER MATERIAL	NYLON OR TPU
CONTACT MATERIAL/PLATING	BRASS/GOLD
RATED CURRENT [A]	4.0 A
RATED VOLTAGE [V]	250 V
SOLDER CUPS	20 AWG MAX
TEMPERATURE RATING	-40°C to +80°C (-22°F to +176°F)

SOURCE DRAWING - FOR REFERENCE ONLY

RELATED DOCUMENTS 1. 2. 3. 4.	3RD ANGLE PROJECTION 	THIS DRAWING IS CONFIDENTIAL AND THE PROPERTY OF TURCK INC. USE OF THIS DOCUMENT WITHOUT WRITTEN PERMISSION IS PROHIBITED.		3000 CAMPUS DRIVE MINNEAPOLIS, MN 55441 1-800-544-7769 (763) 553-7300 (763) 553-0708 fax turck.com	
		MATERIAL SEE SPECIFICATIONS	DRFT RDS APVD	DATE 09/12/08 SCALE 1=1	DESCRIPTION EWAS 4.4 PCB (10/BAG)
FINISH SEE SPECIFICATIONS	ALL DIMENSIONS DISPLAYED ON THIS DRAWING ARE FOR REFERENCE ONLY CONTACT TURCK FOR MORE INFORMATION	UNIT OF MEASUREMENT MILLIMETER [INCH]		IDENTIFICATION NO. A9514	
DO NOT SCALE THIS DRAWING		REV C		FILE: A9514	

C	DRAWING PROCESSED AS PART OF ECO 37423	KMY	12/08/11	37423
REV	DESCRIPTION	BY	DATE	ECO NO.