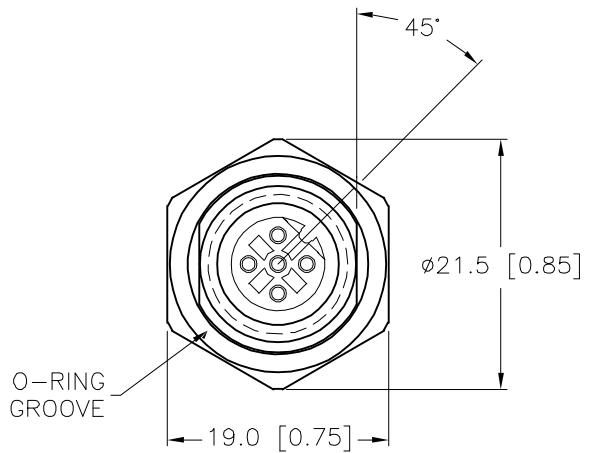
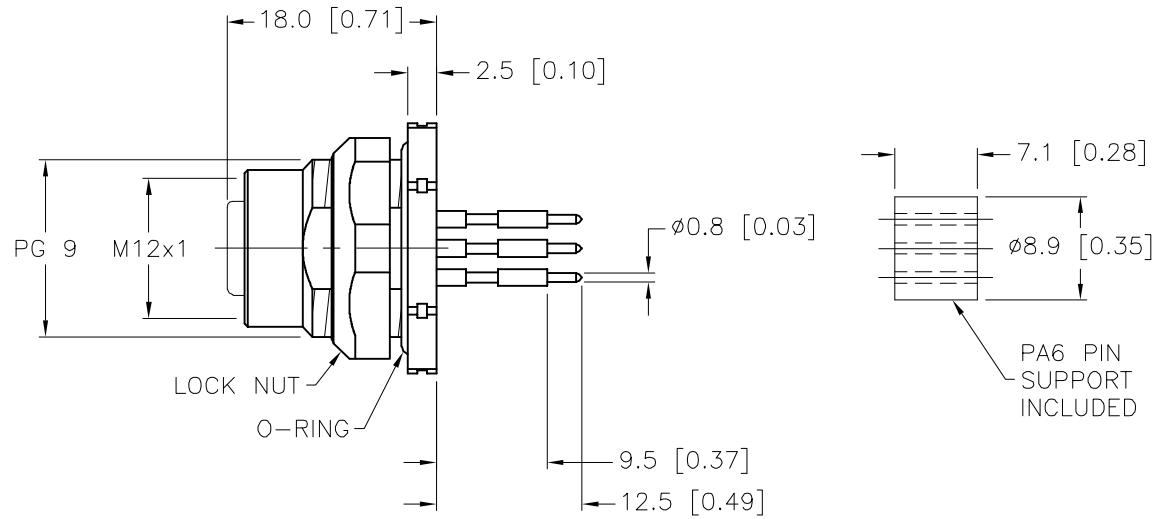


FEMALE END VIEW	BOARD LAYOUT	TYPICAL PANEL CUTOUT	SPECIFICATIONS	
			CONTACT CARRIER MATERIAL	NYLON OR TPU
			CONTACT MATERIAL/PLATING	BRASS/GOLD
			HOUSING, LOCKNUT MATERIAL/PLATING	BRASS/NICKEL
			O-RING MATERIAL	NITRILE
			RATED CURRENT [A]	4.0 A
			RATED VOLTAGE [V]	250 V
			NUMBER OF CONDUCTORS [AWG]	4 PRINTED CIRCUIT PINS
			TEMPERATURE RATING	-30°C to +80°C (-22°F to +176°F)
			PROTECTION CLASS	MEETS NEMA 1,3,4,6P AND IEC IP68
			MAX. PANEL THICKNESS	3.0 [0.12]



END VIEW
LOCK NUT NOT SHOWN



SOURCE DRAWING - FOR REFERENCE ONLY

RELATED DOCUMENTS		3RD ANGLE PROJECTION		THIS DRAWING IS CONFIDENTIAL AND THE PROPERTY OF TURCK INC. USE OF THIS DOCUMENT WITHOUT WRITTEN PERMISSION IS PROHIBITED.				3000 CAMPUS DRIVE MINNEAPOLIS, MN 55441 1-800-544-7769 (763) 553-7300 (763) 553-0708 fax www.turck.us	
1.				DRFT JBJ		DATE 12/17/96		DESCRIPTION FKFD 4.4	
2.				APVD		SCALE 1=.7			
3.		ALL DIMENSIONS DISPLAYED ON THIS DRAWING ARE FOR REFERENCE ONLY		UNIT OF MEASUREMENT MILLIMETER [INCH]		IDENTIFICATION NO. U4490		REV D	
4.									
MATERIAL		SEE SPECIFICATIONS		CONTACT TURCK FOR MORE INFORMATION		DO NOT SCALE THIS DRAWING		FILE: U4490	
FINISH		SEE SPECIFICATIONS						SHEET 1 OF 1	

D	NOTATE THE KEYWAY IS 45° FROM THE MOUNTING FLAT	RDS	04/25/22	77572
REV	DESCRIPTION	BY	DATE	ECO NO.