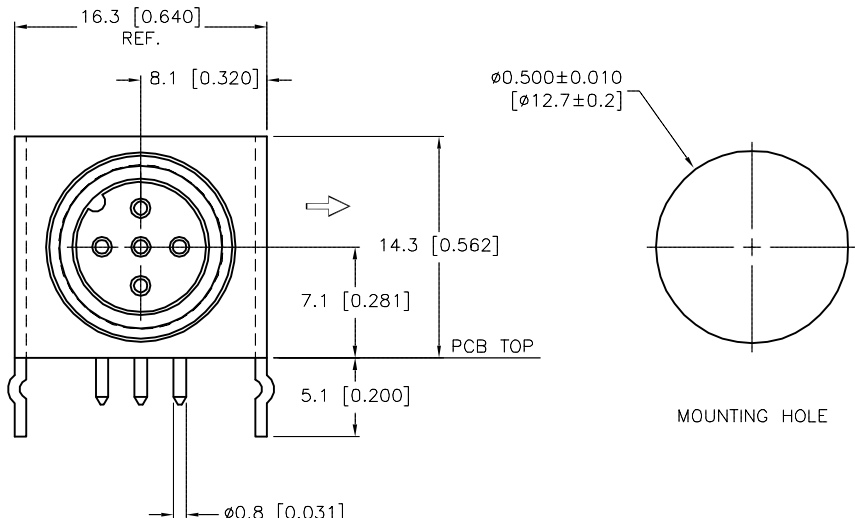
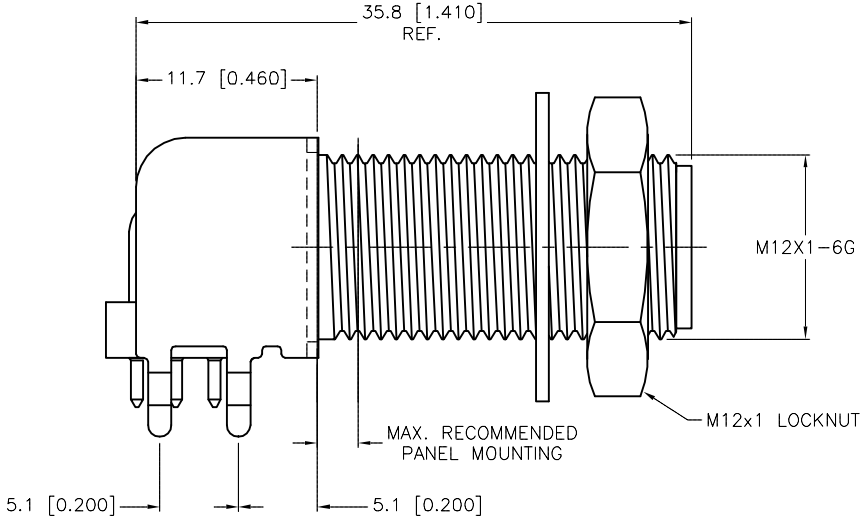
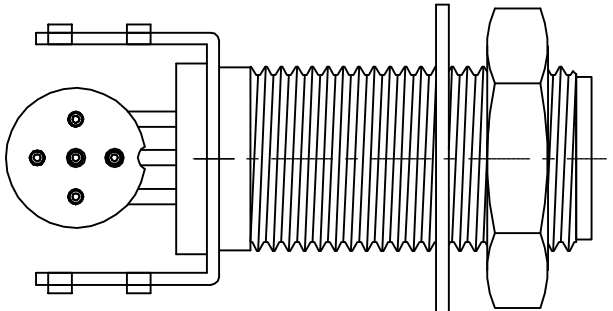


**SPECIFICATIONS**

CONTACT CARRIER MATERIAL/COLOR	PA 6 NYLON/BLUE-GRAY
CONTACT MATERIAL/PLATING	BRASS/GOLD
HOUSING, LOCKNUT MATERIAL/PLATING	BRASS/NICKEL
RATED CURRENT [A]	4.0 A
RATED VOLTAGE [V]	30 VAC/36 VDC
NUMBER OF CONDUCTORS [AWG]	PRINTED CIRCUIT PINS
TEMPERATURE RATING	-40°C to +80°C (-40°F to +176°F)
PROTECTION CLASS	MEETS NEMA 1,3,4,6P AND IEC IP68



LOCKNUT NOT SHOWN



↑ = 90° CORDSET CABLE DIRECTION

- NOTES:
- 1.) UNIT SNAP-FITS INTO 0.062 TO 0.125 THICK PC BOARDS.
  - 2.) SPACER PERMANENTLY ATTACHED TO PINS FOR ALIGNMENT.

SOURCE DRAWING - FOR REFERENCE ONLY

RELATED DOCUMENTS 1. U2369-2 2. 3. 4.	3RD ANGLE PROJECTION 	THIS DRAWING IS CONFIDENTIAL AND THE PROPERTY OF TURCK INC. USE OF THIS DOCUMENT WITHOUT WRITTEN PERMISSION IS PROHIBITED.		3000 CAMPUS DRIVE MINNEAPOLIS, MN 55441 1-800-544-7769 (763) 553-7300 (763) 553-0708 fax turck.com	
	MATERIAL	DRFT IK	DATE 07/26/00	DESCRIPTION WFS 57-PCB/C1101	
FINISH	ALL DIMENSIONS DISPLAYED ON THIS DRAWING ARE FOR REFERENCE ONLY  CONTACT TURCK FOR MORE INFORMATION	APVD	SCALE 2=1.0	IDENTIFICATION NO. U2369-101	
		UNIT OF MEASUREMENT <b>MILLIMETER [ INCH ]</b>		REV F	
F ADD WASHER PER ECO	KMY 04/23/14	45597	DO NOT SCALE THIS DRAWING		FILE: U2369-101
REV DESCRIPTION	BY DATE ECO NO.		SHEET 1 OF 1		