
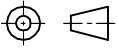


SOURCE DRAWING - FOR REFERENCE ONLY

RELATED DOCUMENTS		3RD ANGLE PROJECTION		THIS DRAWING IS CONFIDENTIAL AND THE PROPERTY OF TURCK INC. USE OF THIS DOCUMENT WITHOUT WRITTEN PERMISSION IS PROHIBITED.		 3000 CAMPUS DRIVE MINNEAPOLIS, MN 55441 1-800-544-7769 (763) 553-7300 (763) 553-0708 fax www.turck.us		
1.				DRFT	CBM	DATE	09/26/01	
2.				DSGN		SCALE	1 = 1.0	DESCRIPTION
3.		ALL DIMENSIONS DISPLAYED ON THIS DRAWING ARE FOR REFERENCE ONLY		UNIT OF MEASUREMENT			IDENTIFICATION NO.	REV
4.				INCHES			A5600	A
MATERIAL		CONTACT TURCK FOR MORE INFORMATION		DO NOT SCALE THIS DRAWING		FILE: A5600	SHEET 1 OF 1	

A	DRAWING RELEASE	CBM	10/01/01	
REV	DESCRIPTION	BY	DATE	ECO NO.