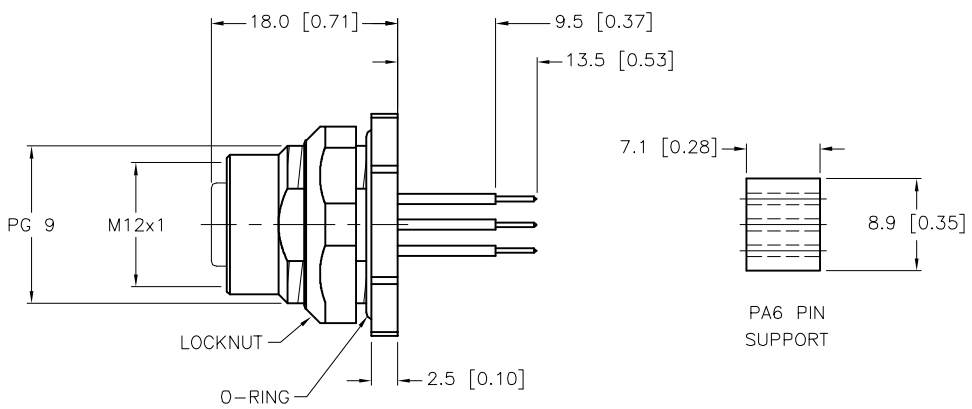
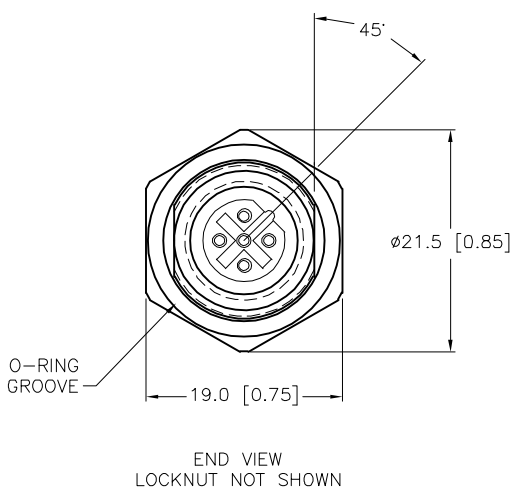


SPECIFICATIONS	
CONTACT CARRIER MATERIAL	NYLON
CONTACT MATERIAL/PLATING	BRASS/GOLD
HOUSING, LOCKNUT MATERIAL/PLATING	BRASS/NICKEL
RATED CURRENT [A]	4.0 A
RATED VOLTAGE [V]	250 V
NUMBER OF CONDUCTORS [AWG]	PRINTED CIRCUIT PINS
TEMPERATURE RATING	-30°C to +80°C (-22°F to +176°F)
PROTECTION CLASS	MEETS NEMA 1,3,4,6P AND IEC IP68
MAX. PANEL THICKNESS	3.0 [0.12]



SOURCE DRAWING - FOR REFERENCE ONLY

RELATED DOCUMENTS		3RD ANGLE PROJECTION		THIS DRAWING IS CONFIDENTIAL AND THE PROPERTY OF TURCK INC. USE OF THIS DOCUMENT WITHOUT WRITTEN PERMISSION IS PROHIBITED.		<p>3000 CAMPUS DRIVE MINNEAPOLIS, MN 55441 1-800-544-7769 (763) 553-7300 (763) 553-0708 fax www.turck.us</p>	
1.			<p>ALL DIMENSIONS DISPLAYED ON THIS DRAWING ARE FOR REFERENCE ONLY</p>	DRFT	IK	DATE	02/13/97
2.				APVD		SCALE	1=.8
3.		MATERIAL		UNIT OF MEASUREMENT		IDENTIFICATION NO.	
4.		SEE SPECIFICATIONS		MILLIMETER [INCH]		REV	
FINISH		SEE SPECIFICATIONS		CONTACT TURCK FOR MORE INFORMATION		U4509-3	
D	NOTATE THE KEYWAY IS 45° FROM THE MOUNTING FLAT	RDS	04/25/22	77572	DO NOT SCALE THIS DRAWING		FILE: U4509-3
REV	DESCRIPTION	BY	DATE	ECO NO.	SHEET 1 OF 1		