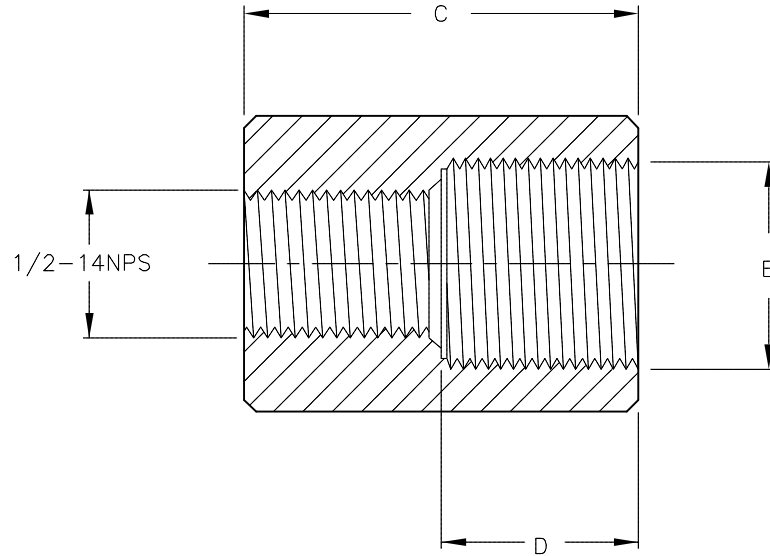
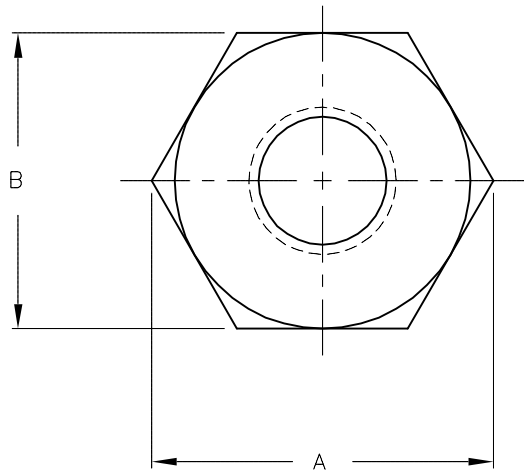


DESCRIPTION OF TABULATION

| PART NO. | ID NO. | RAW MAT. NUMBER | DIMENSIONS           |                      |                      |                     |            |
|----------|--------|-----------------|----------------------|----------------------|----------------------|---------------------|------------|
|          |        |                 | A                    | B                    | C                    | D                   | E          |
| TMF 30-G | A3345  | 10160151        | $\frac{1.73"}{44.0}$ | $\frac{1.50"}{38.1}$ | $\frac{1.00"}{25.4}$ | $\frac{.40"}{10.2}$ | M30x1.5-6G |



NOTES:

1. CONDUIT ADAPTERS FOR USE WITH G AND P STYLE BARREL SENSORS.

|                                |  |   |  |  |  |  |  |
|--------------------------------|--|---|--|--|--|--|--|
| RELATED DOCUMENTS              |  | 3RD ANGLE PROJECTION  |  | THIS DRAWING IS CONFIDENTIAL AND THE PROPERTY OF TURCK INC. USE OF THIS DOCUMENT WITHOUT WRITTEN PERMISSION IS PROHIBITED. |  | 3000 CAMPUS DRIVE<br>MINNEAPOLIS, MN 55441<br>1-800-544-7769<br>(763) 553-7300<br>(763) 553-0708 fax<br>www.turck.us |  |
| 1.<br>2.<br>3.<br>4.           |  |   |  | DRFT GMB   |  | DATE 1/21/88   |  |
| MATERIAL ALUMINUM              |  | ALL DIMENSIONS DISPLAYED ON THIS DRAWING ARE FOR REFERENCE ONLY |  | DSGN   |  | SCALE NONE   |  |
| FINISH CLEAR IRRIDITE          |  | CONTACT TURCK FOR MORE INFORMATION                              |  | UNIT OF MEASUREMENT  |  | DESCRIPTION TMF 30-G   |  |
|                                |  |   |  | INCH [ MILLIMETER ]  |  | IDENTIFICATION NO. A3345   |  |
|                                |  |   |  | DO NOT SCALE THIS DRAWING  |  | REV F  |  |
| F UPDATE TO CURRENT TITLEBLOCK |  | RDS 07/16/02 5504   |  | FILE: A3345  |  | SHEET 1 OF 1   |  |
| REV DESCRIPTION                |  | BY DATE ECO NO.   |  |  |  |  |  |