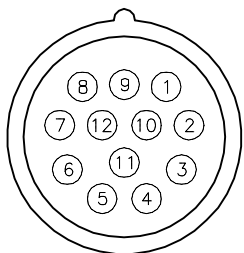
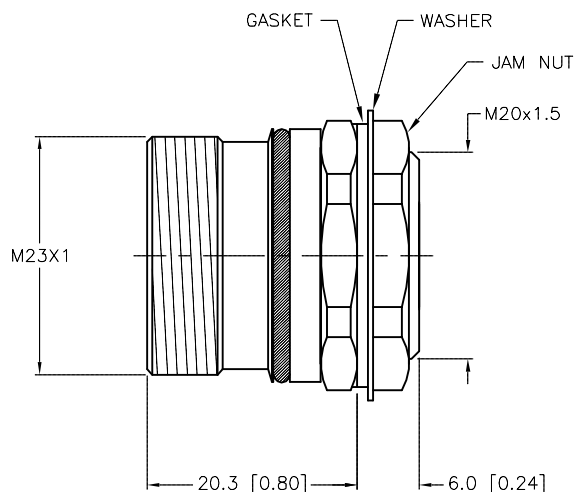


MALE END VIEW



SPECIFICATIONS

CONTACT CARRIER MATERIAL	NYLON or PBT
CONTACT MATERIAL/PLATING	BRASS/GOLD
CONNECTOR HOUSING MATERIAL/PLATING	BRASS/NICKEL
GASKET	RUBBER (NBR or FPM)
RATED CURRENT [A]	8.0 A
RATED VOLTAGE [V]	300 V
MAX. CONDUCTOR SIZE (AWG)	18 AWG
TERMINATION METHOD	SOLDER LUG
PROTECTION CLASS	IEC IP65



SOURCE DRAWING - FOR REFERENCE ONLY

RELATED DOCUMENTS 1. 2. 3. 4.	3RD ANGLE PROJECTION 	THIS DRAWING IS CONFIDENTIAL AND THE PROPERTY OF TURCK INC. USE OF THIS DOCUMENT WITHOUT WRITTEN PERMISSION IS PROHIBITED.		3000 CAMPUS DRIVE MINNEAPOLIS, MN 55441 1-800-544-7769 (763) 553-7300 (763) 553-0708 fax www.turck.us	
	MATERIAL	DRFT SWC	DATE 7/20/95	DESCRIPTION CSF 12-0	
FINISH	ALL DIMENSIONS DISPLAYED ON THIS DRAWING ARE FOR REFERENCE ONLY	APVD	SCALE 1=.8	IDENTIFICATION NO. U4520	
	CONTACT TURCK FOR MORE INFORMATION	UNIT OF MEASUREMENT MILLIMETER [INCH]		REV A	
		DO NOT SCALE THIS DRAWING		FILE: U4520	SHEET 1 OF 1

A	DRAWING RELEASE	RDS	12/19/02	
REV	DESCRIPTION	BY	DATE	ECO NO.